

Series NXE

Single acting

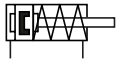
Technical details

Operating pressure	1 ... 10 bar
Temperature range	-10°C ... +80°C
Medium	Filtered, oil-free and dried compressed air according to ISO 8573-1:2010, Class 7:2:4, instrument air, free of aggressive additives. Alternatively the pressure dew point must be at least 10°C below lowest occurring ambient temperature.
Materials	Cylinder tube: Al (anodized) End caps: Al (anodized) Piston rod: stainless steel Seals: PU, NBR (optional FKM)

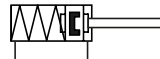


Single acting pneumatic cylinder with magnetic piston for proximity sensors and built-in cushioning rings. Standard stroke lengths in table below, additional lengths on request.

Versions

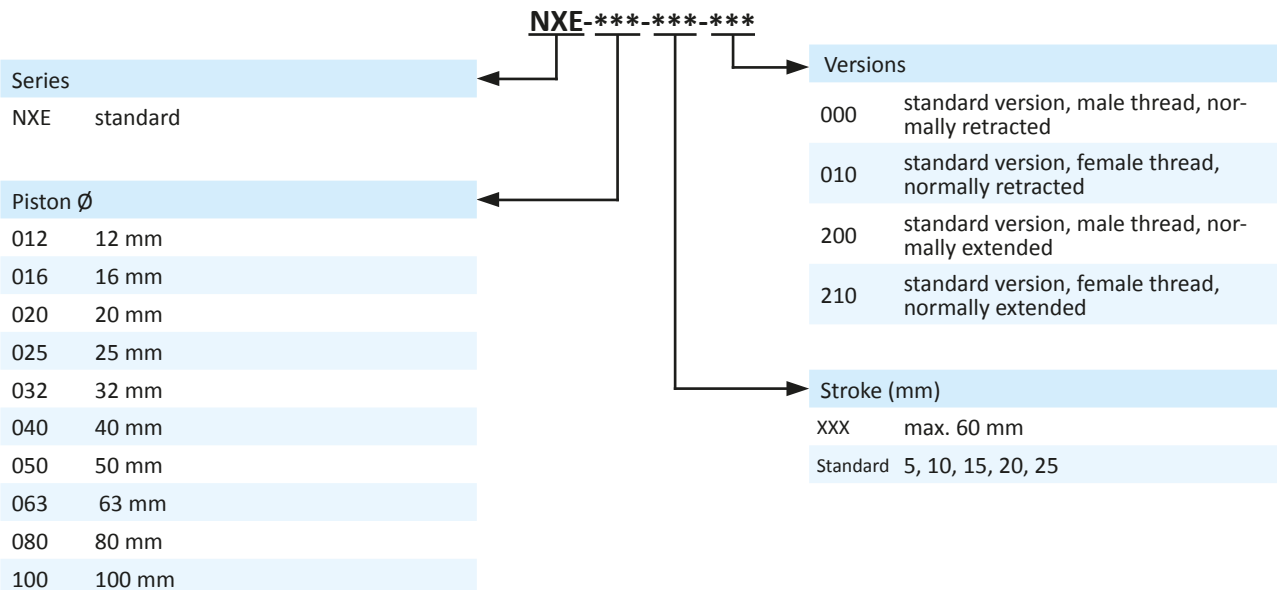


000, 010
single acting, built-in cushioning rings, with magnetic piston, normally retracted



200, 210
single acting, built-in cushioning rings, with magnetic piston, normally extended

Order code



Model-no.:	NXE-012-...	NXE-016-...	NXE-020-...	NXE-025-...	NXE-032-...
Piston Ø (mm)	12	16	20	25	32
Connection	M5	M5	M5	M5	G1/8
Piston rod thread	male M6 female M3	M8	M5	M5	M6

Model-no.:	NXE-040-...	NXE-050-...	NXE-063-...	NXE-080-...	NXE-100-...
Piston Ø (mm)	40	50	63	80	100
Connection	G1/8	G1/8	G1/8	G1/8	G1/4
Piston rod thread	male M10 x 1.25 female M6	M12 x 1.25	M8	M10	M12

Technical data

Model-no.:	NXE-	012-...	016-...	020-...	025-...	032-...	040-...	050-...	063-...	080-...	100-...
0 mm stroke (-x00)*		0.078	0.082	0.135	0.153	0.275	0.376	0.502	0.776	1.453	2.659
0 mm stroke (-x10)*		0.074	0.074	0.121	0.139	0.261	0.362	0.481	0.755	1.402	2.560
0 mm stroke (-x00)**		0.095	0.099	0.162	0.215	0.357	0.476	0.628	0.932	1.807	3.139
0 mm stroke (-x10)**		0.091	0.091	0.148	0.201	0.343	0.462	0.607	0.911	1.756	3.040
each 100 mm stroke		0.170	0.170	0.270	0.310	0.410	0.500	0.630	0.780	1.180	1.600

* up to 30 mm stroke, ** from 35 mm stroke

Model-no.:		NXE-012-xxx-0x0	NXE-016-xxx-0x0	NXE-020-xxx-0x0	NXE-025-xxx-0x0	NXE-032-xxx-0x0
Force at 6 bar and 5 mm stroke (N)	Extension	81 ... 83	81 ... 83	133 ... 136	224 ... 227	382 ... 386
	Retraction	26 ... 28	26 ... 28	34 ... 37	38 ... 41	48 ... 52
Force at 6 bar and 10 mm stroke (N)	Extension	81 ... 86	81 ... 86	133 ... 139	224 ... 230	382 ... 389
	Retraction	23 ... 28	23 ... 28	31 ... 37	35 ... 41	45 ... 52
Force at 6 bar and 15 mm stroke (N)	Extension	81 ... 88	81 ... 88	133 ... 142	224 ... 233	382 ... 393
	Retraction	21 ... 28	21 ... 28	28 ... 37	32 ... 41	41 ... 52
Force at 6 bar and 20 mm stroke (N)	Extension	81 ... 90	81 ... 90	133 ... 145	224 ... 236	382 ... 397
	Retraction	19 ... 28	19 ... 28	25 ... 37	29 ... 41	38 ... 52
Force at 6 bar and 25 mm stroke (N)	Extension	81 ... 92	81 ... 92	133 ... 148	224 ... 239	382 ... 400
	Retraction	17 ... 28	17 ... 28	22 ... 37	26 ... 41	34 ... 52

Model-no.:		NXE-040-xxx-0x0	NXE-050-xxx-0x0	NXE-063-xxx-0x0	NXE-080-xxx-0x0	NXE-100-xxx-0x0
Force at 6 bar and 5 mm stroke (N)	Extension	611 ... 616	992 ... 997	1588 ... 1594	2568 ... 2574	4031 ... 4041
	Retraction	63 ... 68	67 ... 75	89 ... 95	140 ... 147	200 ... 210
Force at 6 bar and 10 mm stroke (N)	Extension	611 ... 621	992 ... 1003	1588 ... 1600	2568 ... 2580	4031 ... 4051
	Retraction	58 ... 68	61 ... 75	83 ... 95	134 ... 147	190 ... 210
Force at 6 bar and 15 mm stroke (N)	Extension	611 ... 626	992 ... 1008	1588 ... 1606	2568 ... 2586	4031 ... 4061
	Retraction	53 ... 68	56 ... 75	77 ... 95	128 ... 147	180 ... 210
Force at 6 bar and 20 mm stroke (N)	Extension	611 ... 631	992 ... 1013	1588 ... 1612	2568 ... 2593	4031 ... 4071
	Retraction	48 ... 68	51 ... 75	71 ... 95	121 ... 147	170 ... 210
Force at 6 bar and 25 mm stroke (N)	Extension	611 ... 636	992 ... 1018	1588 ... 1618	2568 ... 2599	4031 ... 4081
	Retraction	43 ... 68	45 ... 75	65 ... 95	115 ... 147	160 ... 210

Model-no.:		NXE-012-xxx-2x0	NXE-016-xxx-2x0	NXE-020-xxx-2x0	NXE-025-xxx-2x0	NXE-032-xxx-2x0
Force at 6 bar and 5 mm stroke (N)	Extension	26 ... 28	26 ... 28	34 ... 37	38 ... 41	48 ... 52
	Retraction	53 ... 55	53 ... 55	133 ... 136	224 ... 227	382 ... 386
Force at 6 bar and 10 mm stroke (N)	Extension	23 ... 28	23 ... 28	31 ... 37	35 ... 41	45 ... 52
	Retraction	53 ... 58	53 ... 58	133 ... 139	224 ... 230	382 ... 389
Force at 6 bar and 15 mm stroke (N)	Extension	21 ... 28	21 ... 28	28 ... 37	32 ... 41	41 ... 52
	Retraction	53 ... 60	53 ... 60	133 ... 142	224 ... 233	382 ... 393
Force at 6 bar and 20 mm stroke (N)	Extension	19 ... 28	19 ... 28	25 ... 37	29 ... 41	38 ... 52
	Retraction	53 ... 62	53 ... 62	133 ... 145	224 ... 236	382 ... 397
Force at 6 bar and 25 mm stroke (N)	Extension	17 ... 28	17 ... 28	22 ... 37	26 ... 41	34 ... 52
	Retraction	53 ... 64	53 ... 64	133 ... 148	224 ... 239	382 ... 400

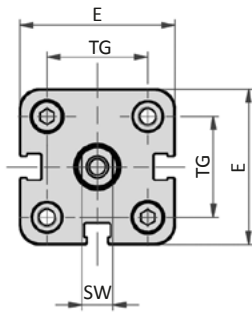
Model-no.:		NXE-040-xxx-2x0	NXE-050-xxx-2x0	NXE-063-xxx-2x0	NXE-080-xxx-2x0	NXE-100-xxx-2x0
Force at 6 bar and 5 mm stroke (N)	Extension	63 ... 68	67 ... 75	89 ... 95	140 ... 147	200 ... 210
	Retraction	611 ... 616	992 ... 997	1588 ... 1594	2568 ... 2574	4031 ... 4041
Force at 6 bar and 10 mm stroke (N)	Extension	58 ... 68	61 ... 75	83 ... 95	134 ... 147	190 ... 210
	Retraction	611 ... 621	992 ... 1003	1588 ... 1600	2568 ... 2580	4031 ... 4051
Force at 6 bar and 15 mm stroke (N)	Extension	53 ... 68	56 ... 75	77 ... 95	128 ... 147	180 ... 210
	Retraction	611 ... 626	992 ... 1008	1588 ... 1606	2568 ... 2586	4031 ... 4061
Force at 6 bar and 20 mm stroke (N)	Extension	48 ... 68	51 ... 75	71 ... 95	121 ... 147	170 ... 210
	Retraction	611 ... 631	992 ... 1013	1588 ... 1612	2568 ... 2593	4031 ... 4071
Force at 6 bar and 25 mm stroke (N)	Extension	43 ... 68	45 ... 75	65 ... 95	115 ... 147	160 ... 210
	Retraction	611 ... 636	992 ... 1018	1588 ... 1618	2568 ... 2599	4031 ... 4081

Series NXE

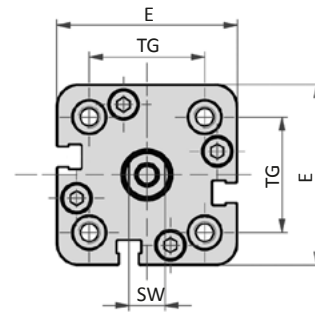
Single acting

Dimensions series NXE

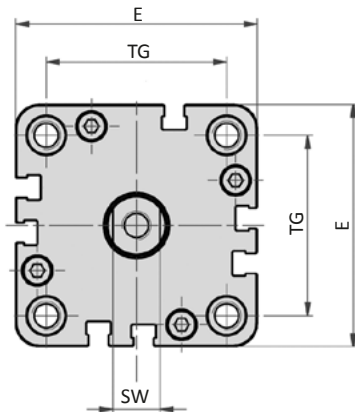
Ø 12 - 25



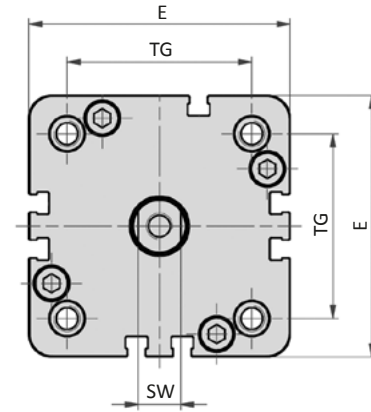
Ø 32-40



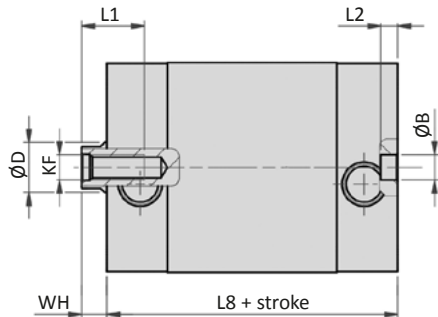
Ø 50



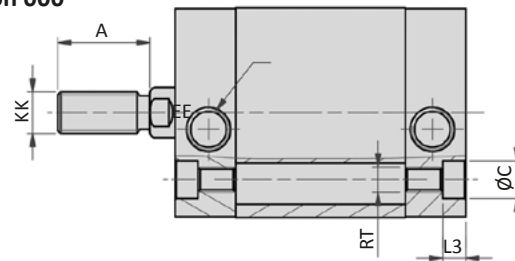
Ø 63 - 100



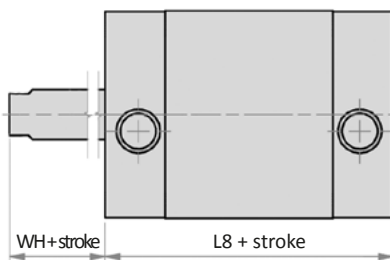
Version 010



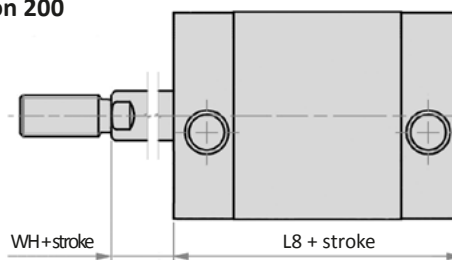
Version 000



Version 210



Version 200



Piston Ø	A	Ø B	Ø C	Ø D	E	EE	KF	KK	L1	L2	L3	L8*	L8**	RT	SW	TG	WH
12	16	6	6	8	29	M5	M3	M6	6	4	3.5	38	48	M4	5	18	4.5
16	20	6	6	8	29	M5	M4	M8	8	4	3.5	38	48	M4	6	18	4.5
20	22	6	7.5	10	36	M5	M5	M10 x 1.25	10	4	4.5	38	48	M5	8	22	4.5
25	22	6	7.5	10	40	M5	M5	M10 x 1.25	10	4	4.5	39.5	59.5	M5	8	26	5.5
32	22	6	9	12	50	G1/8	M6	M10 x 1.25	12	4	5.5	44.5	64.5	M6	10	32	6
40	22	6	9	12	58	G1/8	M6	M10 x 1.25	12	4	5.5	45.5	65.5	M6	10	42	6.5
50	24	6	10.5	16	67	G1/8	M8	M12 x 1.25	12	4	6.5	45.5	65.5	M8	13	50	7.5
63	24	8	13.5	16	80	G1/8	M8	M12 x 1.25	14	4	8.5	50	70	M10	13	62	7.5
80	32	8	13.5	20	100	G1/8	M10	M16 x 1.5	15	4	8.5	56	86	M10	17	82	8
100	40	8	13.5	25	124	G1/4	M12	M20 x 1.5	20	4	8.5	66.5	96.5	M10	22	103	10

* up to 30 mm stroke, ** from 35 mm stroke