

## Series NXD

### Double acting

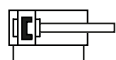
#### Technical details

<b>Operating pressure</b>	1 ... 10 bar
<b>Temperature range</b>	-10°C ... +80°C (NXDH: 0°C ... +150°C)
<b>Medium</b>	Filtered, oil-free and dried compressed air according to ISO 8573-1:2010, Class 7:2:4, instrument air, free of aggressive additives. Alternatively the pressure dew point must be at least 10°C below lowest occurring ambient temperature.
<b>Materials</b>	Cylinder tube: Al (anodized) End caps: Al (anodized) Piston rod: stainless steel Seals: PU, NBR (optional FKM)

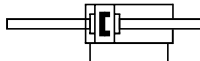


Double acting pneumatic cylinder with magnetic piston for proximity sensors and built-in cushioning rings. Standard stroke lengths in table below, additional lengths on request.

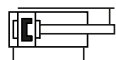
#### Versions



200, 210  
double acting, built-in cushioning rings,  
with magnetic piston



600, 610  
double acting, double end piston rod, built-in  
cushioning rings, with magnetic piston



220  
double acting, non rotating, built-in  
cushioning rings, with magnetic piston

#### Order code

Series		Piston Ø		NXD* - *** - *** - ***		Versions		Stroke (mm)	
NXD	standard	012	12 mm			200	standard version, male thread	XXX	max. 250 mm**
NXDH	high temperature version	016	16 mm			600	standard version, male thread	Standard	5, 10, 15, 20, 25, 30, 40, 50*, 60**, 80***, 100 ****
		020	20 mm			210	standard version, female thread		
		025	25 mm			610	standard version, female thread		
		032	32 mm			220	non rotating		
		040	40 mm			202	high temperature version (with magnetic piston up to 80°C effective), male thread		
		050	50 mm			602	high temperature version (with magnetic piston up to 80°C effective), male thread		
		063	63 mm			212	high temperature version (with magnetic piston up to 80°C effective), female thread		
		080	80 mm			612	high temperature version (with magnetic piston up to 80°C effective), female thread		
		100	100 mm			222	high temperature version (with magnetic piston up to 80°C effective), non rotating + female thread		

*Not all combinations are possible and available.*

\* from Ø 16 mm, \*\* from Ø 25 mm, \*\*\* from Ø 50 mm, \*\*\*\* from Ø 80 mm

**Technical data**

<b>Model-no.:</b>		NXD-012-...	NXD-016-...	NXD-020-...	NXD-025-...	NXD-032-...
<b>Piston Ø (mm)</b>		12	16	20	25	32
<b>Force at 6 bar (N)</b>	<b>Extension</b>	109	109	170	265	434
	<b>Retraction</b>	81	81	127	223	373
<b>Connection</b>		M5	M5	M5	M5	G1/8
<b>Piston rod thread</b>	<b>male</b>	M6	M8	M10 x 1.25	M10 x 1.25	M10 x 1.25
	<b>female</b>	M3	M4	M5	M5	M6

<b>Model-no.:</b>		NXD-040-...	NXD-050-...	NXD-063-...	NXD-080-...	NXD-100-...
<b>Piston Ø (mm)</b>		40	50	63	80	100
<b>Force at 6 bar (N)</b>	<b>Extension</b>	678	1060	1682	2713	4239
	<b>Retraction</b>	617	951	1574	2543	3974
<b>Connection</b>		G1/8	G1/8	G1/8	G1/8	G1/4
<b>Piston rod thread</b>	<b>male</b>	M10 x 1.25	M12 x 1.25	M12 x 1.25	M16 x 1.5	M20 x 1.5
	<b>female</b>	M6	M8	M8	M10	M12

<b>Piston Ø (mm)</b>		12	16	20	25	32	40	50	63	80	100
<b>Weight (kg)</b>	<b>0 mm stroke (-200)</b>	0.078	0.082	0.135	0.153	0.275	0.376	0.502	0.776	1.453	2.659
	<b>0 mm stroke (-210)</b>	0.074	0.074	0.121	0.139	0.261	0.362	0.481	0.755	1.402	2.560
	<b>each 100 mm stroke</b>	0.170	0.170	0.270	0.310	0.410	0.500	0.630	0.780	1.180	1.600

<b>Piston Ø (mm)</b>		16	20	25	32	40	50	63	80	100
<b>Weight (kg)</b>	<b>0 mm stroke (-220)</b>	0.097	0.150	0.195	0.335	0.461	0.636	0.976	1.845	3.190
	<b>each 100 mm stroke</b>	0.200	0.300	0.350	0.530	0.620	0.750	0.900	1.420	1.840

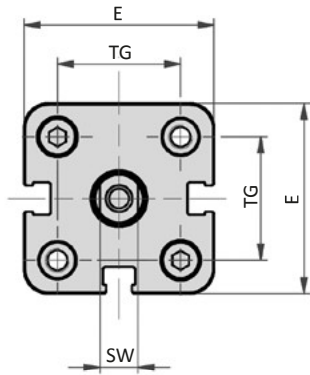
<b>Piston Ø (mm)</b>		12	16	20	25	32	40	50	63	80	100
<b>Weight (kg)</b>	<b>0 mm stroke (-600)</b>	0.097	0.108	0.170	0.188	0.325	0.426	0.591	0.865	1.617	2.958
	<b>0 mm stroke (-610)</b>	0.092	0.092	0.143	0.161	0.298	0.399	0.548	0.822	1.516	2.760
	<b>each 100 mm stroke</b>	0.210	0.210	0.330	0.370	0.500	0.590	0.790	0.940	1.430	1.980

# Series NXD

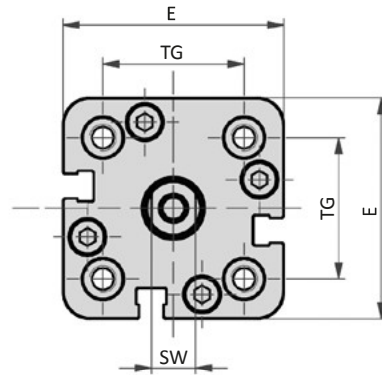
Double acting

## Dimensions series NXD (versions 200 and 210)

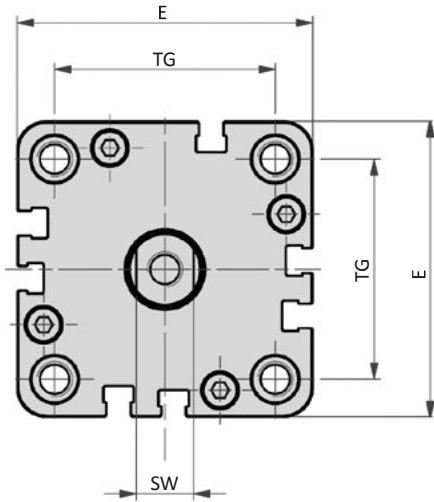
Ø 12 - 25



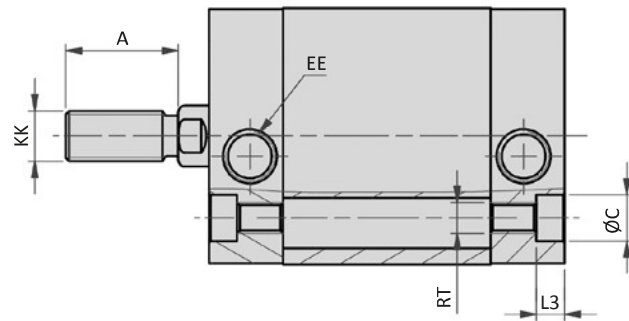
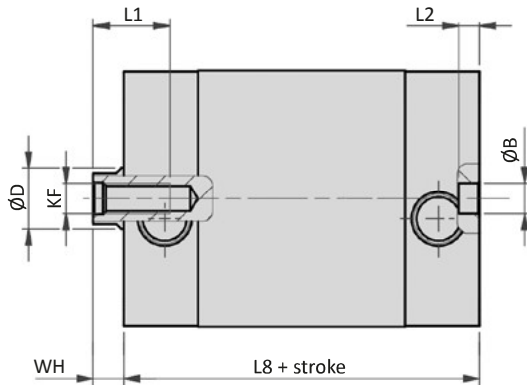
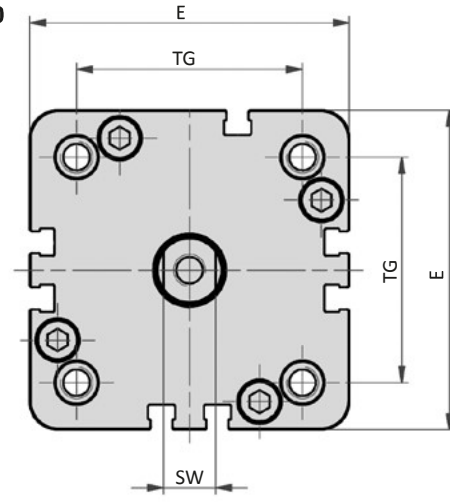
Ø 32 - 40



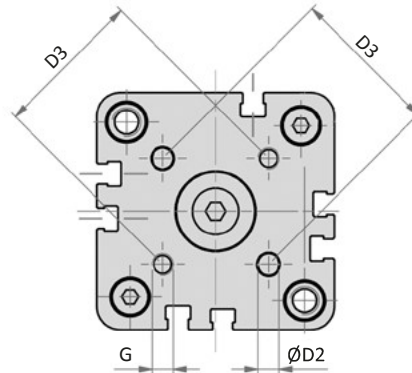
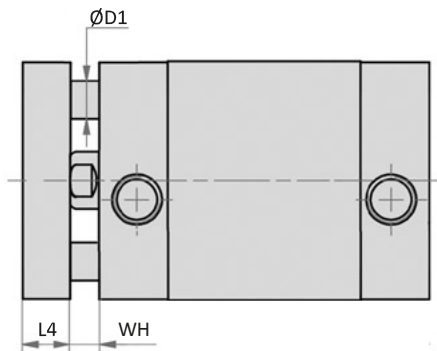
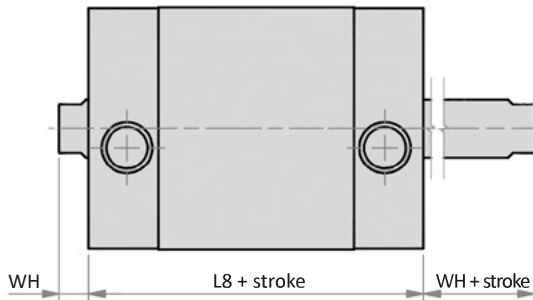
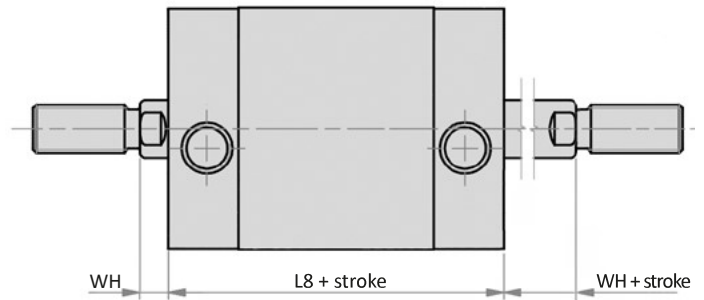
Ø 50



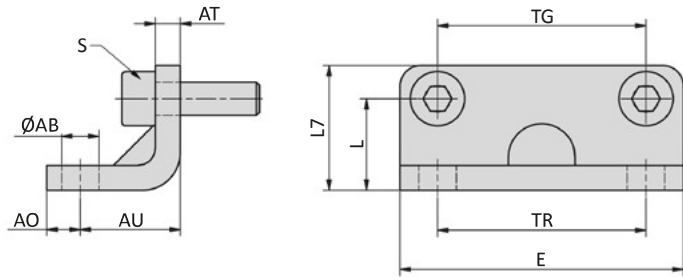
Ø 63 - 100



Piston Ø	A	Ø B	Ø C	Ø D	E	EE	KF	KK	L1	L2	L3	L8	RT	SW	TG	WH
12	16	6	6	8	29	M5	M3	M6	6	4	3.5	38	M4	5	18	4.5
16	20	6	6	8	29	M5	M4	M8	8	4	3.5	38	M4	6	18	4.5
20	22	6	7.5	10	36	M5	M5	M10 x 1.25	10	4	4.5	38	M5	8	22	4.5
25	22	6	7.5	10	40	M5	M5	M10 x 1.25	10	4	4.5	39.5	M5	8	26	5.5
32	22	6	9	12	50	G1/8	M6	M10 x 1.25	12	4	5.5	44.5	M6	10	32	6
40	22	6	9	12	58	G1/8	M6	M10 x 1.25	12	4	5.5	45.5	M6	10	42	6.5
50	24	6	10.5	16	67	G1/8	M8	M12 x 1.25	12	4	6.5	45.5	M8	13	50	7.5
63	24	8	13.5	16	80	G1/8	M8	M12 x 1.25	14	4	8.5	50	M10	13	62	7.5
80	32	8	13.5	20	100	G1/8	M10	M16 x 1.5	15	4	8.5	56	M10	17	82	8
100	40	8	13.5	25	124	G1/4	M12	M20 x 1.5	20	4	8.5	66.5	M10	22	103	10

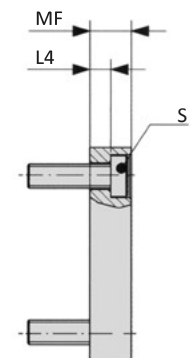
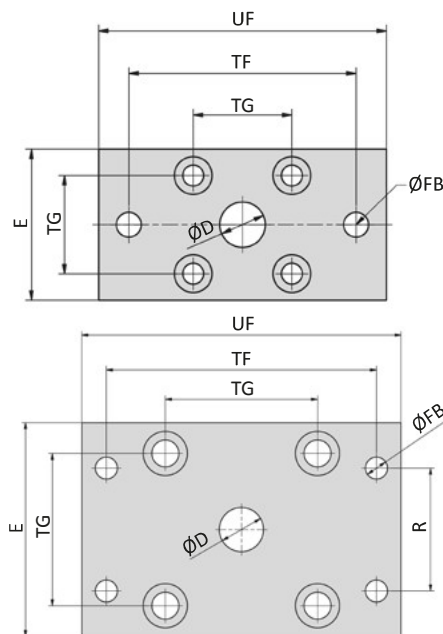
**Dimensions series NXD (Versions 220, 600 and 610)**
**Version 220**

**Version 610**

**Version 600**


Piston $\text{Ø}$	$\text{Ø D1}$	$\text{Ø D2}$	$D3$	$G$	$L4$	$L8$	$WH$
12	-	-	-	-	-	38	4.5
16	5	3	14	M3	6	38	4.5
20	5	4	17	M4	8	38	4.5
25	6	5	22	M5	8	39.5	5.5
32	8	5	28	M5	10	44.5	6
40	10	5	33	M5	10	45.5	6.5
50	10	6	42	M6	12	45.5	7.5
63	10	6	50	M6	12	50	7.5
80	14	8	65	M8	14	56	8
100	14	10	80	M10	14	66.5	10

**NXB-xxx-01 Foot mount**


Model-no.:	Ø AB	AO	AU	AT	E	L	L7	S	TG	TR
NXB-032-01	6.6	8	18	5	50	16	24	M6 x 20	32	32
NXB-040-01	9	8	20	5	60	21.5	29.5	M6 x 20	42	42
NXB-050-01	9	8	24	6	68	22	30	M8 x 20	50	50
NXB-063-01	11	12	27	6	84	28.5	39	M8 x 20	62	62
NXB-080-01	11	12	30	8	102	24.5	36.5	M10 x 20	82	82
NXB-100-01	13.5	12	33	8	123	26.5	38.5	M10 x 20	103	103

Material: steel, zinc plated; 2 x 2 screws in accordance with EN ISO 4762 are included.

**NXB-xxx-02 Flange mount**


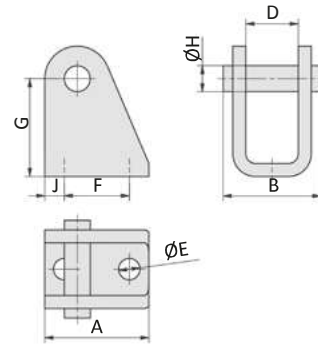
Model-no.:	Ø D	E	Ø FB	L4	MF	R	S	TF	TG	UF
NXB-016-02	10	29	5.5	4.6	10	-	M4 x 16	43	18	55
NXB-020-02	12	36	6.6	4.6	10	-	M5 x 20	55	22	70
NXB-025-02	12	40	6.6	4.6	10	-	M5 x 20	60	26	76
NXB-032-02	14	50	7	3.6	10	32	M6 x 20	65	32	80
NXB-040-02	14	60	9	3.6	10	36	M6 x 20	82	42	102
NXB-050-02	18	68	9	3.4	12	45	M8 x 25	90	50	110
NXB-063-02	18	87	9	4.4	15	50	M10 x 25	110	62	130
NXB-080-02	23	107	12	4.4	15	63	M10 x 25	135	82	160
NXB-100-02	28	128	14	4.4	15	75	M10 x 30	163	103	190

Material: steel, zinc plated; 4 screws in accordance with DIN 7984 are included.

## Series NXD

### Mounting accessories

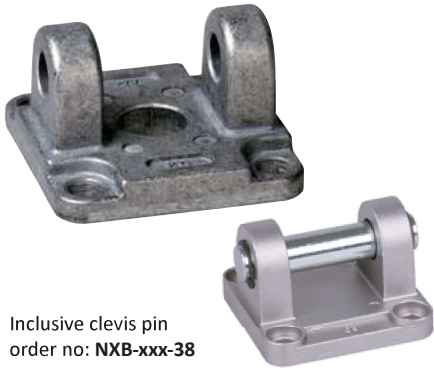
#### RC-xx Clevis mount



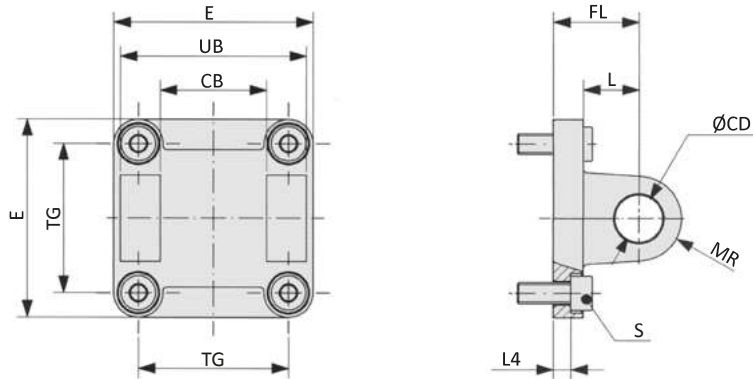
Model-no.:	A	B	D	Ø E	F	G	Ø H	J
RC-16	25	23	12.1	5.5	15	27	6	5
RC-30	32	30	16.1	6.6	20	30	8	6

Material: steel, zinc plated, 2 snap rings are included.

#### NXB-xxx-03 Clevis mount

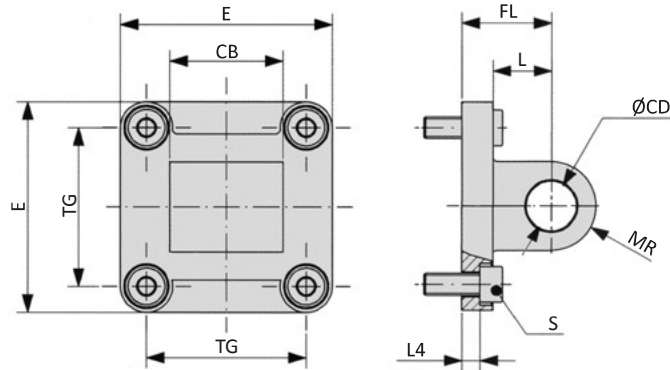


Inclusive clevis pin  
order no: **NXB-xxx-38**



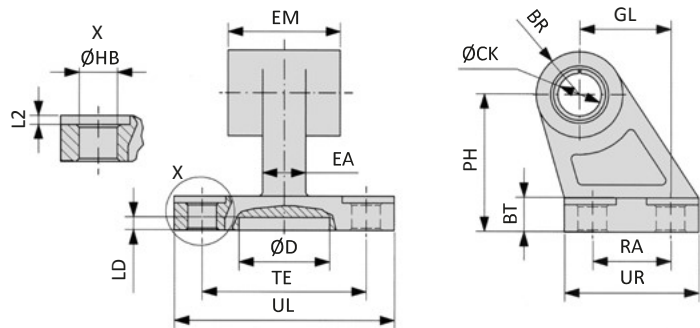
Model-no.:	CB	Ø CD	E	FL	L	L4	MR	S	TG	UB
NXB-032-03	26	10	48	22	13	5.5	10	M6 x 16	32	45
NXB-040-03	28	12	58	25	16	5.5	12.5	M6 x 16	42	52
NXB-050-03	32	12	66	27	16	6.5	12.5	M8 x 20	50	60
NXB-063-03	40	16	83	32	21	6.5	15	M10 x 25	62	70
NXB-080-03	50	16	102	36	23	10	15	M10 x 30	82	90
NXB-100-03	60	20	123	41	26	10	20	M10 x 30	103	110

Material: Al, 4 screws in accordance with EN ISO 4762 are included.

**NXB-xxx-04 Swivel mount**


Model-no.:	CB	Ø CD	E	FL	L	L4	MR	S	TG
NXB-016-04	12	6	27	16	10	2.6	6	M4 x 12	18
NXB-020-04	16	8	34	20	14	2.6	8	M5 x 16	22
NXB-025-04	16	8	38	20	14	2.6	8	M5 x 16	26

Material: Al, 4 screws in accordance with EN ISO 4762 are included.

**XLB-xxx-06 Swivel mount 90°**


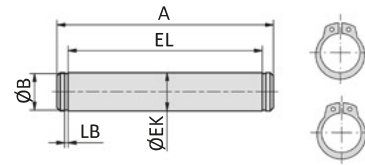
Model-no.:	BR	BT	ØCK	Ø D	EA	EM	GL	ØHB	L2	LD	PH	RA	TE	UL	UR
XLB-032-06	10	8	10	21	10	26	21	6.6	1.6	3	32	18	38	51	31
XLB-040-06	11	10	12	21	15	28	24	6.6	1.6	3	36	22	41	54	35
XLB-050-06	13	12	12	21	16	32	33	9	1.6	3	45	30	50	65	45
XLB-063-06	15	14	16	21	16	40	37	9	1.6	3	50	35	52	67	50
XLB-080-06	15	14	16	21	20	50	47	11	2.5	3	63	40	66	86	60
XLB-100-06	19	17	20	21	20	60	55	11	2.5	3	71	50	76	96	70

Materials: Al, bushing steel and PTFE

## Series NXD

### Mounting accessories

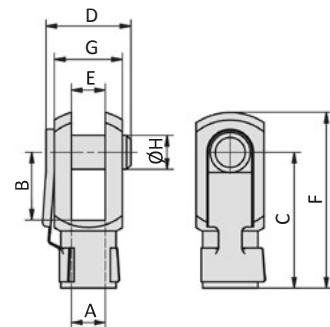
#### XLB-xxx-08 Clevis pin



Model-no.:	A	Ø B	Ø EK	EL	LB
XLB-032-08	53	9.6	10	46	1.1
XLB-040-08	60	11.5	12	53	1.1
XLB-050-08	68	11.5	12	61	1.1
XLB-063-08	78	15.2	16	71	1.1
XLB-080-08	98	15.2	16	91	1.1
XLB-100-08	118	19	20	111	1.3

Material: steel, zinc plated; 2 snap rings are included.

#### RD-xx, FD-xx Rod clevis



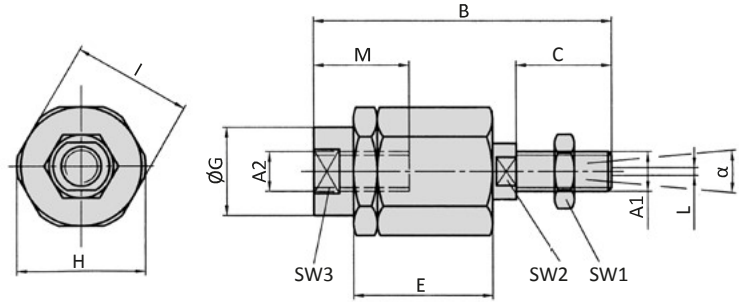
Model-no.:	for cylinder Ø	A	B	C	D	E	F	G	Ø H
RD-16	12	M6	12	24	16	6	31	12	6
RD-20	16	M8	16	32	22	8	42	16	8
RD-25	20 - 40	M10 x 1.25	20	40	26	10	52	20	10
FD-40	50, 63	M12 x 1.25	24	48	32	12	62	24	12
FD-63	80	M16 x 1.5	32	64	40	16	83	32	16
FD-80	100	M20 x 1.5	40	80	50	20	105	40	20

Material: steel, zinc plated

#### Proximity sensors

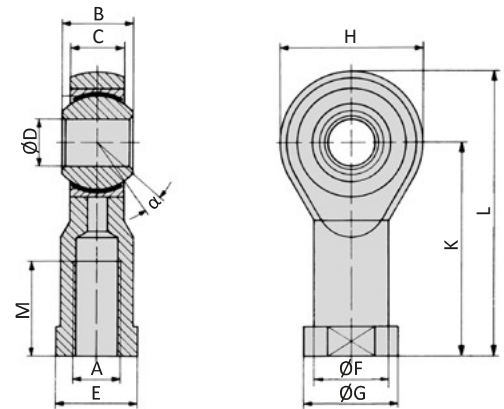




**FK-xx Flexible coupling**


Model-no.:	for cylinder	A1, A2	B	C	D	E	$\emptyset G$	H	I	L	M	SW1	SW2	SW3	$\alpha$
FK-16	12	M6	35	11	2.5	17.5	8.5	14.5	13	1	12.5	10	5	7	6°
FK-20	16	M8	57	21	5	26	12.5	19	17	2	16	13	7	11	8°
FK-32	20 - 40	M10 x 1.25	71.5	20	7.5	35	22	32	30	2	22	17	12	19	8°
FK-40	50, 63	M12 x 1.25	71.5	20	7.5	35	22	32	30	2	22	19	12	19	8°
FK-63	80	M16 x 1.5	104	32	10	53	32	45	41	2	30	24	20	27	6°
FK-80	100	M20 x 1.5	119	40	10	53	32	45	41	2	37	30	20	27	6°

Material: steel, zinc plated

**RO-xx, FO-xx Rod eye**


Model-no.:	for cylinder	A	B	C	$\emptyset D$	E	$\emptyset F$	$\emptyset G$	H	K	L	M	$\alpha$
RO-16	12	M6	9	6.75	6	11	10	13	20	30	40	12	13°
RO-20	16	M8	12	9	8	14	12.5	16	24	36	48	16	14°
RO-25	20 - 40	M10 x 1.25	14	10.5	10	17	15	19	28	43	57	20	13°
FO-40	50, 63	M12 x 1.25	16	12	12	19	17.5	22	32	50	66	22	13°
FO-63	80	M16 x 1.5	21	15	16	22	22	27	42	64	85	28	15°
FO-80	100	M20 x 1.5	25	18	20	30	27.5	34	50	77	102	33	14°

Materials: steel, zinc plated, bearing steel, bronze bushing