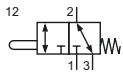


Technical details

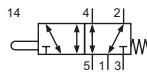
Connection	G1/8
Nominal size	4 mm
Temperature range	-10°C ... +70°C
Medium	Filtered, oil-free and dried compressed air according to ISO 8573-1:2010, Class 7:2:4, instrument air, free of aggressive additives. Alternatively the pressure dew point must be at least 10°C below lowest occurring ambient temperature.
Materials	Body: Al (anodized), seals: NBR, inner parts: stainless steel and brass, stem: stainless steel
	T-28-311 in accordance with 2014/34/EU (ATEX) available. (Chapter 13)



Mechanically operated spool valve including mounting adapter for actuator installation.

3/2-way valve


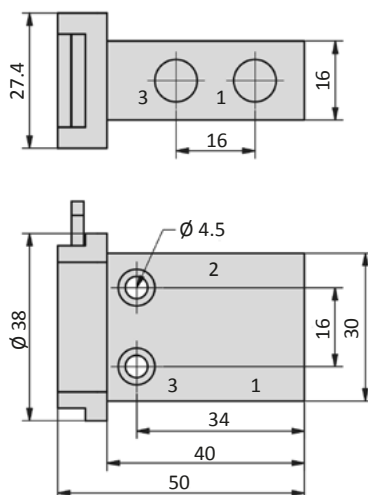
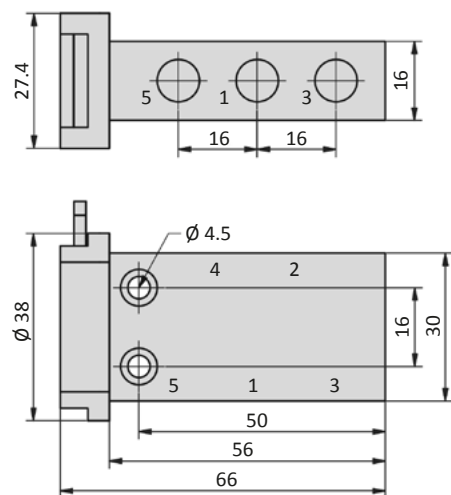
T-28-311
3/2-way, mechanical spring return,
stem operated



T-28-511
5/2-way, mechanical spring return,
stem operated

Technical data

Model-no.:	T-28-311	T-28-511
Operating pressure (bar)	0 ... 12	0 ... 12
Flow rate (NI/min)	450	465
Actuating force at 6 bar (N)	25	15
Actuation stroke (mm)	4	4
Weight (kg)	0.058	0.075

Dimensions
T-28-311

T-28-511


- 1 = pressure inlet
- 2,4 = outlets
- 3,5 = exhausts