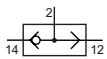


Technical details

Temperature range	-10°C ... +70°C
Medium	Filtered, oil-free and dried compressed air according to ISO 8573-1:2010, Class 7:2:4, instrument air, free of aggressive additives. Alternatively the pressure dew point must be at least 10°C below lowest occurring ambient temperature.
Materials	Body: Al (anodized), seals: NBR, inner parts: stainless steel and brass



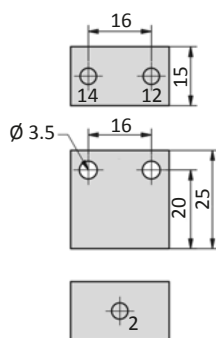
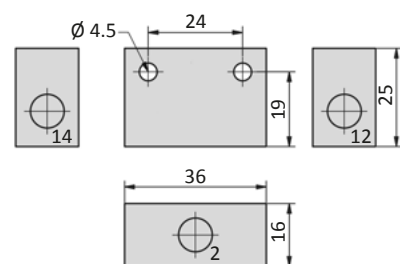
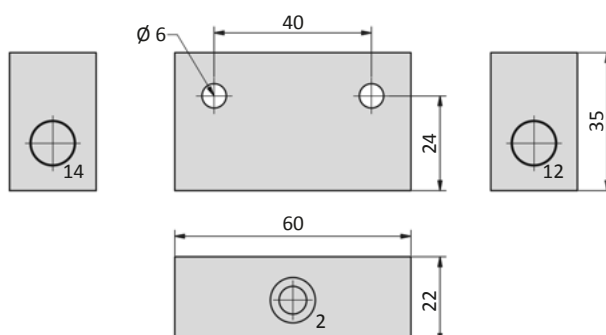
Output signal is present if one inlet is pressurized. The higher input signal (min. difference 0.2 bar) is dominant.

OR valves


OR-xx
OR valve

Technical data

Model-no.:	OR-25	OR-18	OR-14-01
Connection	M5	G1/8	G1/4
Nominal size (mm)	3.2	4	5.5
Operating pressure (bar)	-0.95 ... 10	-0.95 ... 10	-0.95 ... 10
Min. difference (bar)	0.2	0.2	0.2
Flow rate (NI/min)	160	280	900
Weight (kg)	0.026	0.038	0.110

Dimensions
OR-25

OR-18

OR-14-01


12, 14 = signal input
2 = signal output