

Series KM-09 and KM-10



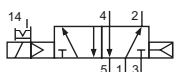
Technical details

Connection	KM-09: G1/8 KM-10: G1/4
Nominal size	KM-09: 6 mm KM-10: 9 mm
Temperature range	-10°C ... +70°C
Medium	Filtered, oil-free and dried compressed air according to ISO 8573-1:2010, Class 7:2:4, instrument air, free of aggressive additives. Alternatively the pressure dew point must be at least 10°C below lowest occurring ambient temperature.
Materials	Body: Al (anodized), plastic, seals: NBR, inner parts: Al, stainless steel and brass
Protection	IP 65 according to EN 60529
	Valves in accordance with 2014/34/EU (ATEX) available. (Chapter 13)

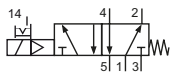


Electrically operated spool valve. The manual override is detent and is operated by screwdriver.

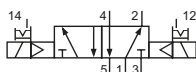
5/2-way valves



KM-09-510-HN-xxx
KM-10-510-HN-xxx
5/2-way, single solenoid, air spring return

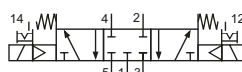


KM-09-511-HN-xxx
KM-10-511-HN-xxx
5/2-way, single solenoid, mechanical spring return

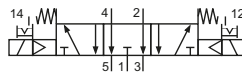


KM-09-520-HN-xxx
KM-10-520-HN-xxx
5/2-way, double solenoid

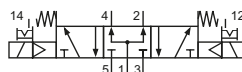
5/3-way valves



KM-09-530-HN-xxx
KM-10-530-HN-xxx
5/3-way, center position closed



KM-09-533-HN-xxx
KM-10-533-HN-xxx
5/3-way, center position exhausted



KM-09-534-HN-xxx
KM-10-534-HN-xxx
5/3-way, center position pressurized

Please complete: xxx = electrical option

Electrical options

Nominal voltage	Power consumption	Specifics	Plug connection*1	-xxx Manual override on same side of ports	
				2 and 4	1, 3 and 5
12 V DC	4.2 W		Form B industrial norm	-441	-411
12 V DC	2.2 W	max. 8 bar	Form B industrial norm	-461	-431
24 V DC	4.2 W		Form B industrial norm	-442	-412
24 V DC	4.8 W		M 12	-042	-012
24 V DC	2.2 W	max. 8 bar	Form B industrial norm	-462	-432
24 V DC	2.5 W	max. 8 bar	M 12	-062	-032
24 V AC	7/4 VA		Form B industrial norm	-452	-422
115 V AC	7/4 VA		Form B industrial norm	-456	-426
230 V AC	7/4 VA		Form B industrial norm	-457	-427

*1 Plug socket not included, suitable plug sockets see page 4-38.

Technical data

Model-no.:	KM-09-510	KM-09-511	KM-09-520	KM-09-530	KM-09-533	KM-09-534
Operating pressure* (bar)	3 ... 10	3 ... 10	3 ... 10	3 ... 10	3 ... 10	3 ... 10
Pilot pressure* (bar)	3 ... 10	3 ... 10	3 ... 10	3 ... 10	3 ... 10	3 ... 10
Flow rate (NI/min)	950	810	950	680	680	680
Response time (ms) at 6 bar	on: 15 off: 16	on: 13 off: 28	on: 15 off: 15	on: 14 off: 16	on: 14 off: 16	on: 14 off: 16
Weight (kg)	0.230	0.231	0.330	0.330	0.330	0.330
Model-no.:	KM-10-510	KM-10-511	KM-10-520	KM-10-530	KM-10-533	KM-10-534
Operating pressure* (bar)	2.5 ... 10	2.5 ... 10	2.5 ... 10	3 ... 10	3 ... 10	3 ... 10
Pilot pressure* (bar)	2.5 ... 10	2.5 ... 10	2.5 ... 10	3 ... 10	3 ... 10	3 ... 10
Flow rate (NI/min)	2100	1800	2100	1500	1500	1500
Response time (ms) at 6 bar	on: 18 off: 19	on: 16 off: 27	on: 18 off: 18	on: 16 off: 22	on: 16 off: 22	on: 16 off: 22
Weight (kg)	0.470	0.470	0.630	0.630	0.630	0.630

* max. 8 bar at 2.2 W and 2.5 W

Accessories


Plug sockets: page 4-38



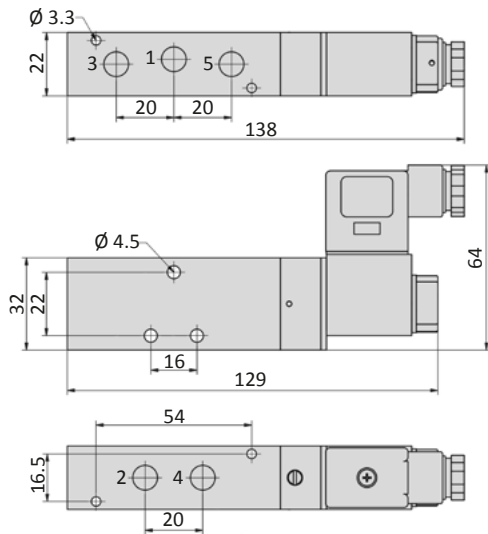
Manifolds and accessories: page 4-21



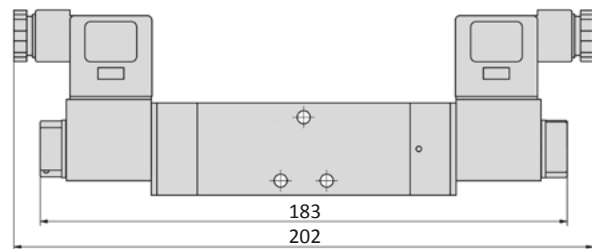
Series KM-09 and KM-10

Dimensions

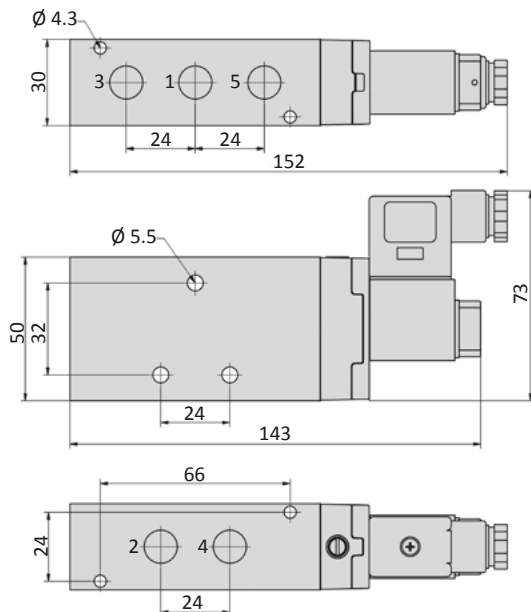
KM-09-51x-HN



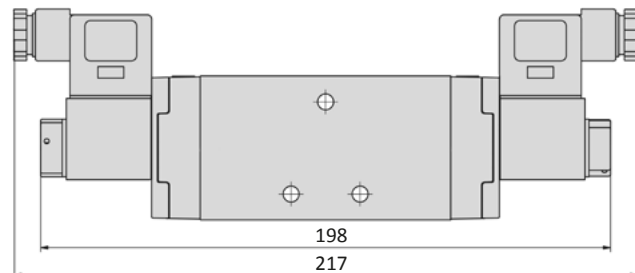
KM-09-520-HN, KM-09-53x-HN



KM-10-51x-HN



KM-10-520-HN, KM-10-53x-HN



- 1 = pressure inlet
- 2,4 = outlets
- 3,5 = exhausts

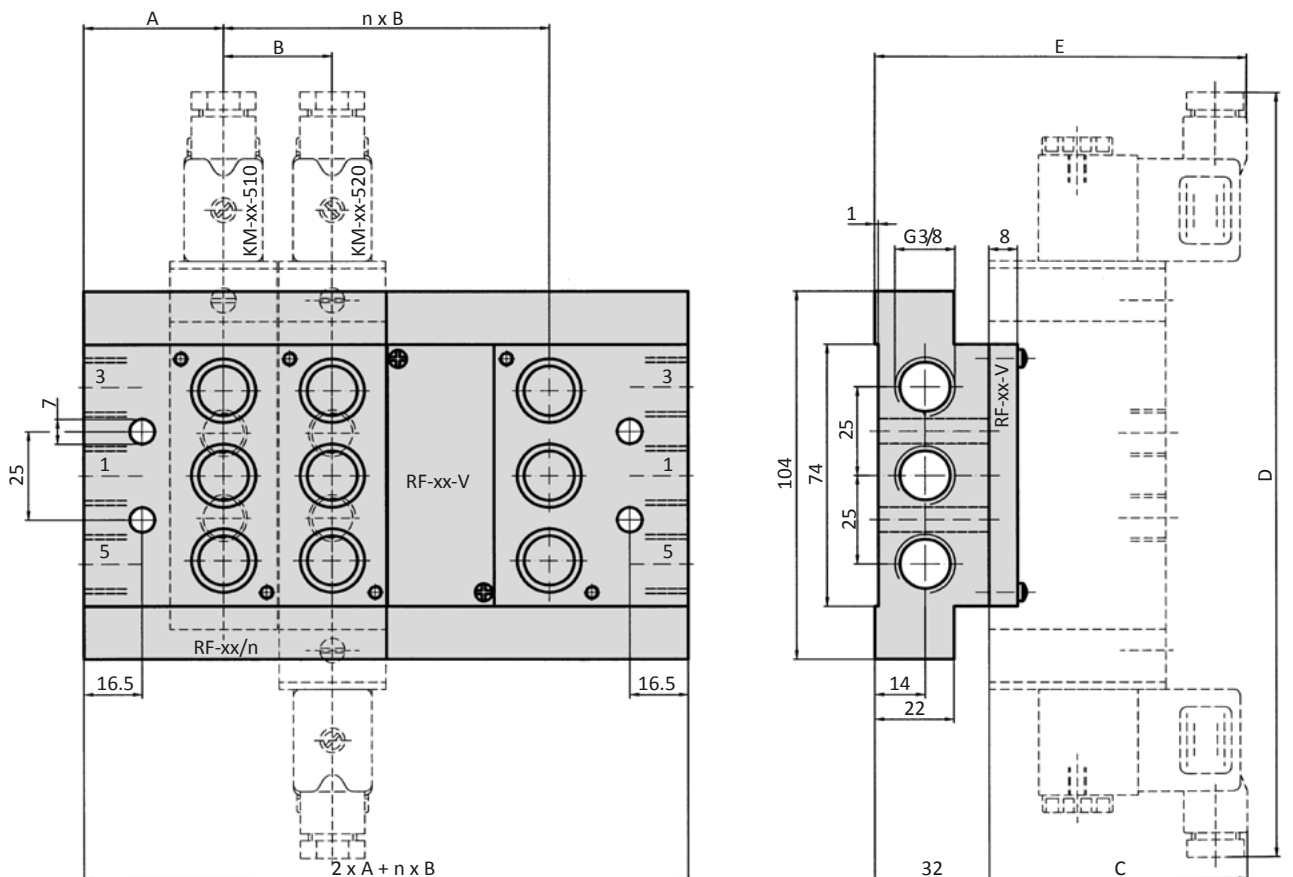
Plug socket (not included in scope of delivery) can be repositioned by 180°.
Solenoid coil can be repositioned by 4 x 90°.

General information

The RF-09/n and RF-10/n manifolds are suitable for the KM-09 and KM-10 valve series. This is a modular system and extendable. The RF-09 and RF-10 can be combined into one manifold with different valve sizes. Blind plates RF-09-V and RF-10-V are available for blank stations. All mounting screws and o-rings are included.



Dimensions



n = number of stations
 1 = pressure inlet
 3,5 = exhausts

Model-no.:	A	B	C	D	E
RF-09/n	35.25	22.5	64	202	96
RF-10/n	39.25	30.5	73	217	105

Model-no.:	n	1	2	3	4	5	6	7	8
Weight (kg)	RF-09/n	0.415	0.550	0.680	0.810	0.990	1.060	1.190	1.320
	RF-10/n	0.470	0.660	0.850	1.040	1.250	1.380	1.570	1.760

Model-no.:	n	9	10	11	12	13	14	15	16
Weight (kg)	RF-09/n	1.500	1.565	1.700	1.830	2.010	2.075	2.210	2.340
	RF-10/n	1.970	2.100	2.290	2.480	2.690	2.820	3.010	3.200