

Series 86-MVY-18

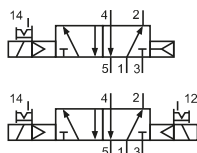
Technical details

Connection	G1/8
Temperature range	0°C ... +50°C
Medium	Filtered, oil-free and dried compressed air according to ISO 8573-1:2010, Class 7:2:4, instrument air, free of aggressive additives. Alternatively the pressure dew point must be at least 10°C below lowest occurring ambient temperature.
Materials	Body: Al (anodized), plastic, seals: NBR, inner parts: Al, steel and plastic
Protection	IP 50 according to EN 60529



Electrically operated spool valve. The manual override is detent/ non-detent and is operated by screwdriver.

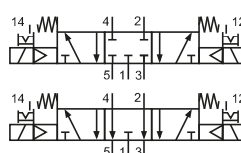
5/2-way valves



86-MVY-18-510-xxx
5/2-way, single solenoid, air spring return

86-MVY-18-520-xxx
5/2-way, double solenoid

5/3-way valves



86-MVY-18-530-xxx
5/3-way, center position closed

86-MVY-18-533-xxx
5/3-way, center position exhausted

Please complete: xxx = electrical option

Electrical options

Nominal voltage	Power consumption	Specifics	Plug connection*1	-xxx Manual override on same side of ports 2 and 4
24 V DC	1.3 W	with integrated LED	Form L	-442

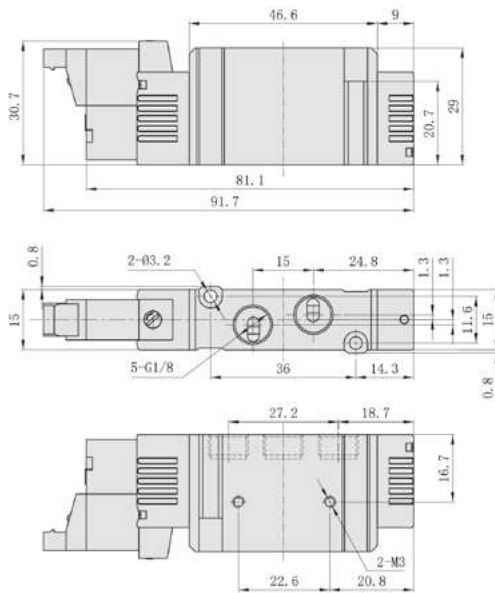
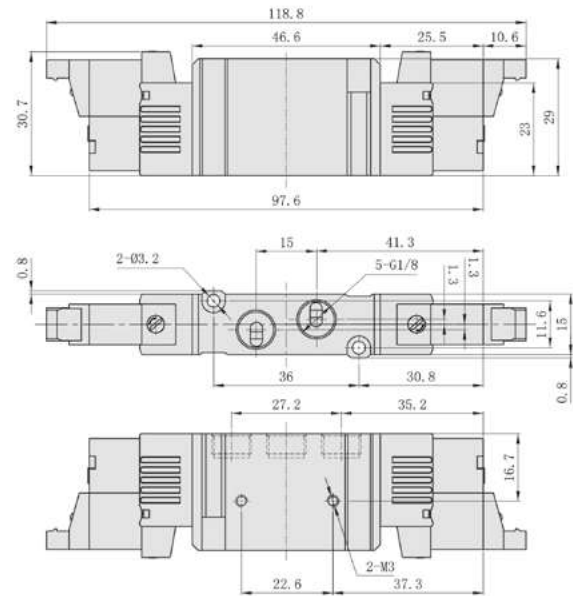
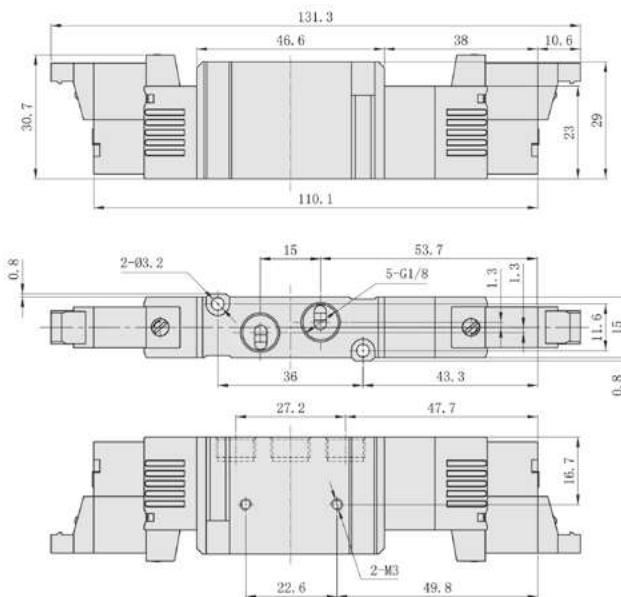
*1 Plug socket not included

Technical data

Model-no.:	86-MVY-18-510	86-MVY-18-520	86-MVY-18-530	86-MVY-18-533
Operating pressure (bar)	1.5...7	1...7	1.5...7	1.5...7
Nominal size (mm)	3.2	3.2	3	3
Flow rate (NI/min)	490	490	420	420
Response time (ms) at 6 bar	20	20	20	20
Weight (kg)	0.062	0.076	0.082	0.082

Accessories



Dimensions
86-MVY-18-510

86-MVY-18-520

86-MVY-18-53x


1 = pressure inlet
 2,4 = outlets
 3,5 = exhausts

Accessories
Plug sockets with cable

Model-no.:	86-ST-L-300	86-ST-L-600
cable length (mm)	300	600

