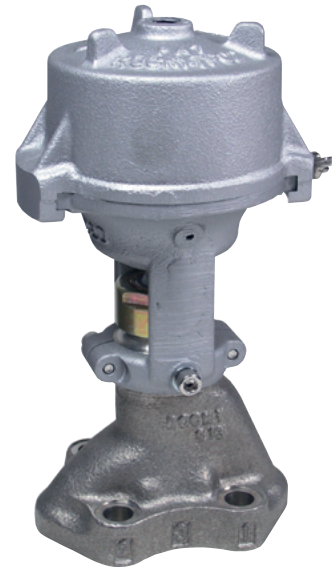
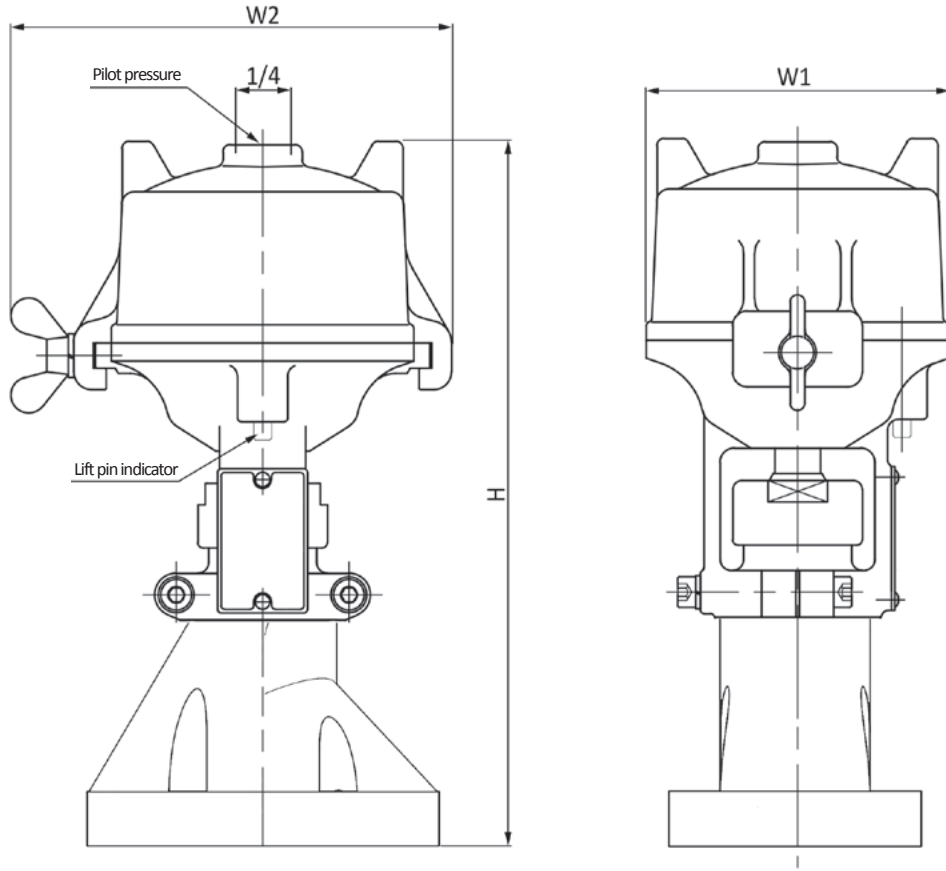


These valves are designed for the use with Steam, Hot Water, Cold Water, Air, Gas or on Vacuum Service. This valves are especially made for manifold block application. The design based on the long field proven TPC series in the tire industry.

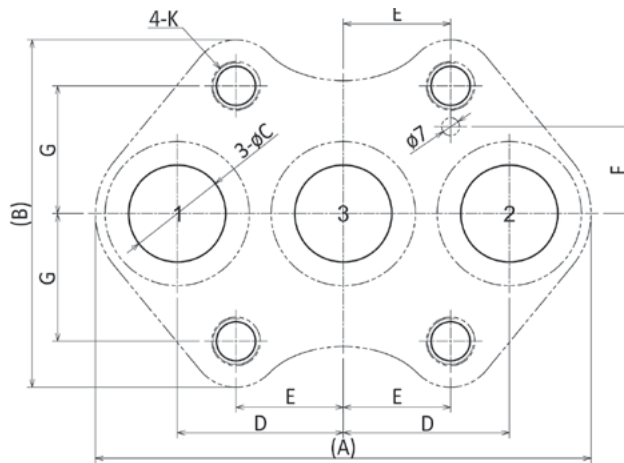
Operating pressure	max. 580 psi
Back pressure	max. 362 psi
Pilot pressure	36 - 51 psi
Pressure class	300
Temperature range	- 22°F to + 419°F
Medium	Steam, Nitrogen, Air
Body material	Stainless steel casting
Stem and seat material	Stainless steel
Packing material	Graphite-reinforced Teflon®
Seal type	Carbon Teflon®



Dimensions (mm)

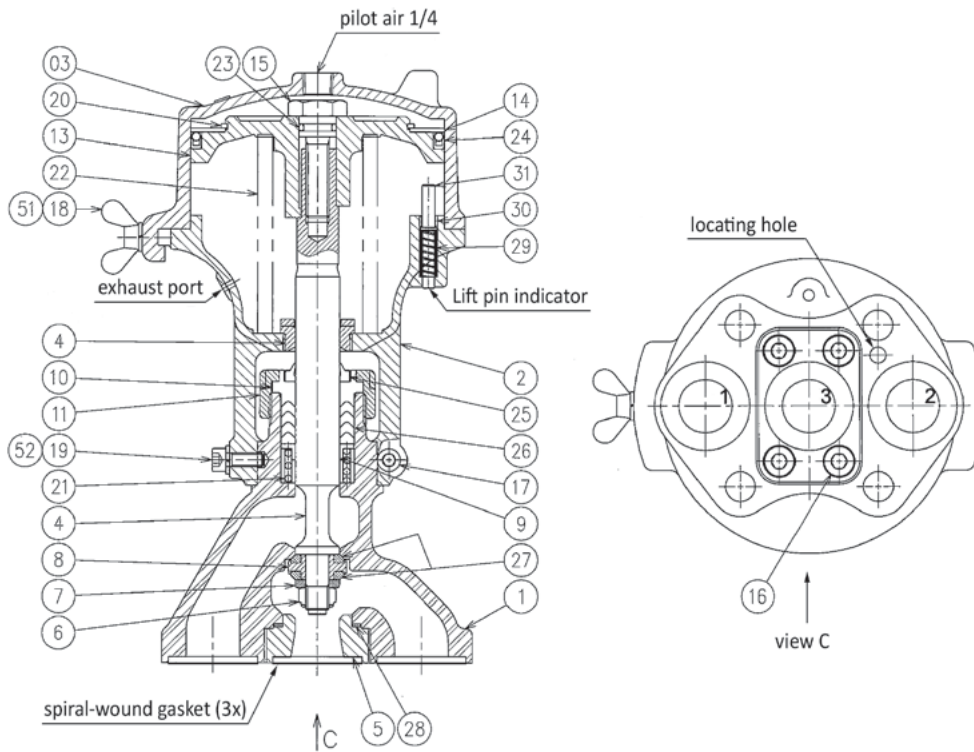


Foot print dimension



Model No.	DN	A	B	C	D	E	F	G	H	K	W1	W2	Weight (lbs)
PMM-1314-20B	20	118	84	19	40	27	18	30	222.5	M12	100	139	9.5
PMM-1314-25B	25	134	98	23	45	30	22	35	257	M12	128	169	15.2
PMM-1314-32B	32	166	120	32	55	37	30	45	292	M16	142	185	21.6
PMM-1314-40B	40	194	136	38	65	42	34	50	353	M18	170	211	36.6

Spare parts



No.	Name	Valve	PMM-1314-20B	PMM-1314-25B	PMM-1314-32B	PMM-1314-40B
1	Body		PM-11420 - 01	PM-11425 - 01	PM-11432 - 01	PM-11440 - 01
2	Yoke		PP-11420 - 02	PP-11425 - 02	PP-11432 - 02	PP-11440 - 02
3	Cylinder		PP-11420 - 03 *	PP-11425 - 03 *	PP-11432 - 03 *	PP-11440 - 03 *
4	Stem		PM-11420 - 04	PM-11425 - 04	PM-11432 - 04	PM-11440 - 04
5	Lower seat		PM-11420 - 05	PM-11425 - 05	PM-11432 - 05	PM-11440 - 05
6	U-nut		C-21120 - 06	C-21125 - 06	C-21132 - 06	C-21140 - 06
7	Guide washer		C-21120 - 07	C-21125 - 07	C-21132 - 07	C-21140 - 07
8	Disc adapter		C-21120 - 08	C-21125 - 08	C-21132 - 08	C-21140 - 08
9	Ring washer		C-21120 - 09	C-21125 - 09	C-21132 - 09	C-21140 - 09
10	Gland		C-21120 - 10	C-21125 - 10	C-21132 - 10	C-21140 - 10
11	Gland nut		C-21120 - 11	C-21125 - 11	C-21132 - 11	C-21140 - 11
12	Guide bushing		C-21120 - 12	C-21125 - 12	C-21132 - 12	C-21140 - 12
13	Piston		PP-11420 - 13	PP-11425 - 13	PP-11432 - 13	PP-11440 - 13
14	Ring plate		PP-11420 - 14	PP-11425 - 14	PP-11432 - 14	PP-11440 - 14
15	Tension bolt		C-21120 - 15	C-21125 - 15	C-21132 - 15	C-21140 - 15
16	Socket cap screw		-	-	-	-
17	Socket cap screw		C-21120 - 17	C-21125 - 17	C-21132 - 17	C-21140 - 17
18	Wing bolt		C-21120 - 18	C-21125 - 18	C-21132 - 18	C-21140 - 18
19	Socket cap screw		C-21120 - 19	C-21125 - 19	C-21132 - 19	C-21140 - 19
20	Retaining ring		PP-11420 - 20	PP-11425 - 20	PP-11432 - 20	PP-11440 - 20
21	Packing spring		C-21120 - 21	C-21125 - 21	C-21132 - 21	C-21140 - 21
22	Piston Spring		C-21120 - 22	C-21125 - 22	C-21132 - 22	C-21140 - 22
23	O-ring		C-21120 - 23	C-21125 - 23	C-21132 - 23	C-21140 - 23
24	Piston ring		C-21120 - 24	C-21125 - 24	C-21132 - 24	C-21140 - 24
25	Dust seal		C-21120 - 25	C-21125 - 25	C-21132 - 25	C-21140 - 25
26	Gland packing		C-21120 - 27	C-21125 - 27	C-21132 - 27	C-21140 - 27
27	Disc ring (2x)		C-21120 - 28	C-21125 - 28	C-21132 - 28	C-21140 - 28
28	Lower seat gasket		PM-11420 - 28	PM-11425 - 28	PM-11432 - 28	PM-11440 - 28
29	Indikator spring		PP-11420 - 29	PP-11425 - 29	PP-11432 - 29	PP-11440 - 29
30	Dry bearing		PP-11420 - 30	PP-11425 - 30	PP-11432 - 30	PP-11440 - 30
31	Lift pin gauge		PP-11420 - 31	PP-11425 - 31	PP-11432 - 31	PP-11440 - 31
51	Spring lock washer		C-21120 - 51	C-21125 - 51	C-21132 - 51	C-21140 - 51
52	Spring lock washer		C-21120 - 51	C-21125 - 51	C-21132 - 51	C-21140 - 51

* please complete: N = NPT thread, B = BSPT thread, P = PT thread

Spiral woung gasket series PP

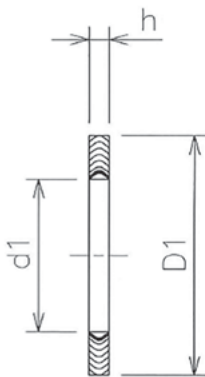
This gasket is made of spiral wound metal band 1.4541 with a filing material between the metal bands. The filling material is graphite. Spiral-wound gaskets are used mainly in high-pressure environments and in critical operating conditions.



Technical data

Operating pressure	max. 2320 psi
Temperature range	- 328°F to + 1022°F

Dimensions (mm)



Model No.	DN	d1	D1	h
PP-15	15	15	25	3.2
PP-20	20	20	33	3.2
PP-25	25	25	39	3.2
PP-32	32	32	49	3.2
PP-40	40	40	57	3.2

Order Code

PMM-13 1 4 - * * *

Series

Version

3 3/2-way

Function

1 Normally closed (NC)

Connection

4 Panel version

Pilot port thread

N NPT thread

B* BSPT thread

P* PT thread

Nominal size

10 10 mm

20 20 mm

32 32 mm

40 40 mm

* Available on Request. Not a stock item.