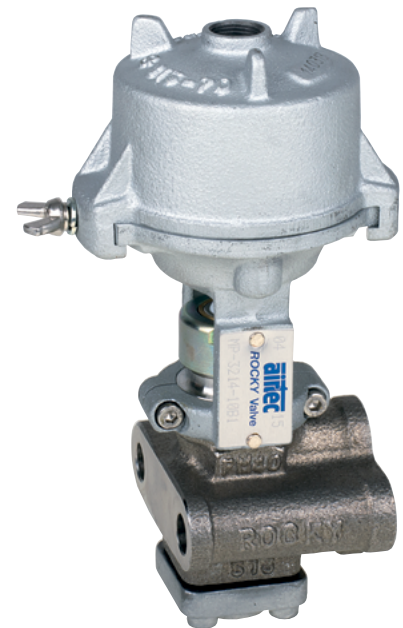


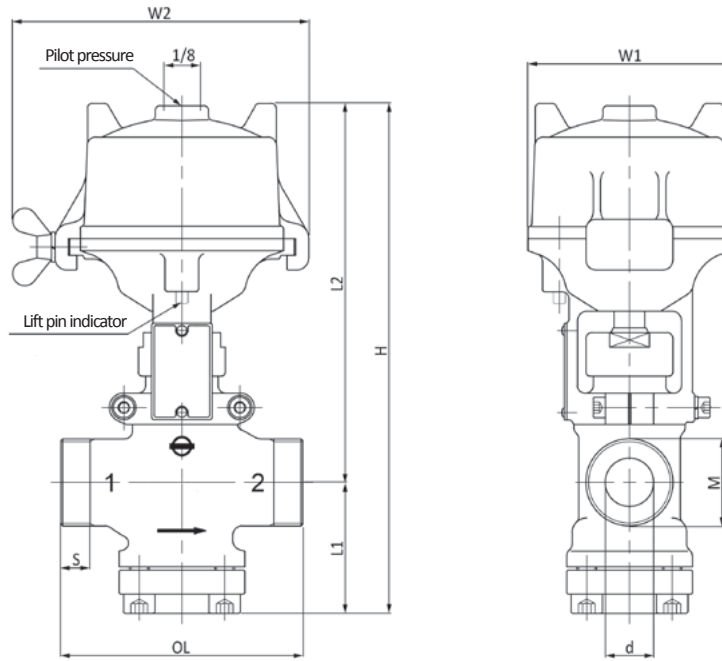
These valves are designed for the use with Steam, Hot Water, Cold Water, Air, Gas or on Vacuum Service. This valves are especially made for manifold block application. The design based on the long field proven TPC series in the tire industry.

Operating pressure	max. 580 psi
Back pressure	max. 362 psi
Pilot pressure	65 - 101psi
Pressure class	300
Temperature range	- 22°F to + 419°F
Medium	Steam, Nitrogen, Air
Body material	Stainless steel casting
Stem and seat material	Stainless steel
Packing material	Graphite-reinforced Teflon®
Seal type	Carbon Teflon®

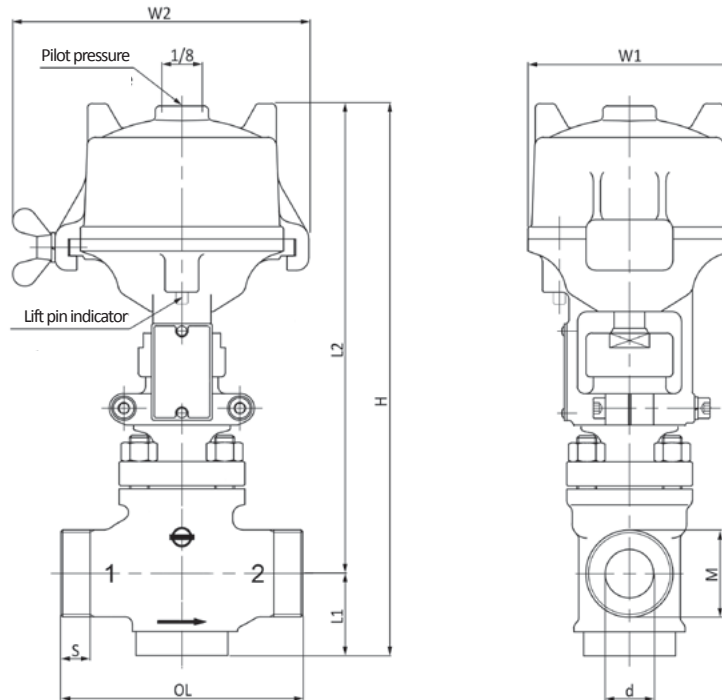


Dimensions (mm)

MT-3211
normally closed



MT-3221
normally open



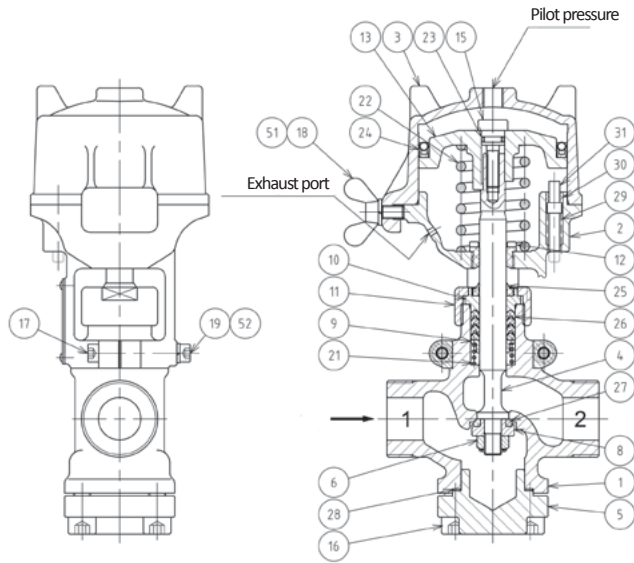
MT valve, tapped

Model No.	DN	d	OL	M	S	L1	L2	H	W ₁	W ₂	Weight (lbs)
MT-3211-10*	10	13	76	M25 x 1.5	11	45.3	153	198.3	84	112	5.5
MT-3211-20*	20	20	100	M36 x 2.0	12	54.3	157	211.3	84	112	6.6
MT-3221-10*	10	13	76	M25 x 1.5	11	30	185.3	215.3	84	112	5.7
MT-3221-20*	20	20	100	M36 x 2.0	12	36	194.3	230.3	84	112	7.1

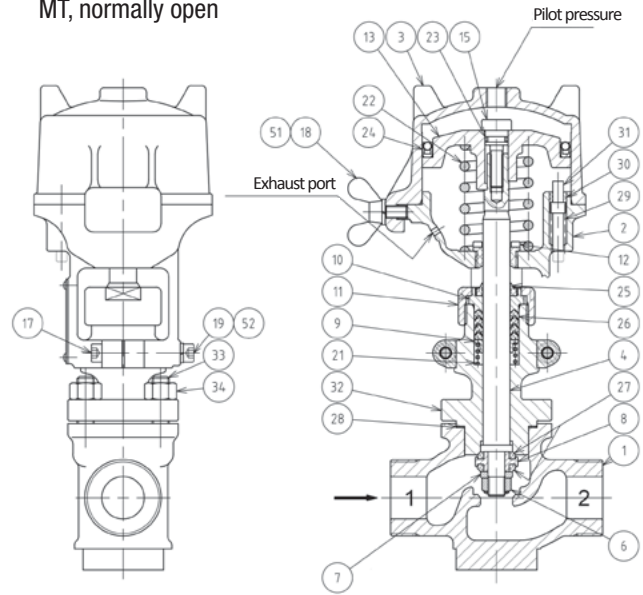
* please complete: B1 = 1/8", B = 1/4", B2 = 3/8"

Spare parts

MT, normally closed



MT, normally open



No.	Name	Valve	MT-3211-10-*	MT-3211-20-*	MT-3221-10-*	MT-3221-20-*
1	Body		MT-31115 - 01	MT-31120 - 01	MT-32115 - 01	MT-32120 - 01
2	Yoke		PP-11415 - 02	PP-11420 - 02	PP-11415 - 02	PP-11420 - 02
3	Cylinder		PP-11415 - 03 *	PP-11420 - 03 *	PP-11415 - 03 *	PP-11420 - 03 *
4	Stem		MT-31110 - 04	MT-31120 - 04	MT-32110 - 04	MT-32120 - 04
5	Lower seat		MT-31110 - 05	MT-31120 - 05	-	-
6	U-nut		C-21115 - 06	C-21120 - 06	C-21115 - 06	C-21120 - 06
7	Guide washer		-	-	C-21115 - 07	C-21120 - 07
8	Disc adapter		PP-114215 - 08	PP-114220 - 08	C-21115 - 08	C-21120 - 08
9	Ring washer		C-21115 - 09	C-21120 - 09	C-21115 - 09	C-21120 - 09
10	Gland		C-21115 - 10	C-21120 - 10	C-21115 - 10	C-21120 - 10
11	Gland nut		C-21115 - 11	C-21120 - 11	C-21115 - 11	C-21120 - 11
12	Guide bushing		C-21115 - 12	C-21120 - 12	C-21115 - 12	C-21120 - 12
13	Piston		MT-31110 - 13	MT-31120 - 13	MT-31110 - 13	MT-31120 - 13
15	Tension bolt		C-21115 - 15	C-21120 - 15	C-21115 - 15	C-21120 - 15
16	Socket cap screw		C-21115 - 16	C-21120 - 16	C-21115 - 16	C-21120 - 16
17	Socket cap screw		C-21115 - 17	C-21120 - 17	C-21115 - 17	C-21120 - 17
18	Wing bolt		C-21115 - 18	C-21120 - 18	C-21115 - 18	C-21120 - 18
19	Socket cap screw		C-21115 - 19	C-21120 - 19	C-21115 - 19	C-21120 - 19
21	Packing spring		C-21115 - 21	C-21120 - 21	C-21115 - 21	C-21120 - 21
22	Piston Spring		MT-31110 - 22	MT-31120 - 22	MT-32110 - 22	MT-32120 - 22
23	O-ring		C-21115 - 23	C-21120 - 23	C-21115 - 23	C-21120 - 23
24	Piston ring		PP-11415 - 24	PP-11420 - 24	PP-11415 - 24	PP-11420 - 24
25	Dust seal		C-21115 - 25	C-21120 - 25	C-21115 - 25	C-21120 - 25
26	Gland packing		C-21115 - 27	C-21120 - 27	C-21115 - 27	C-21120 - 27
27	Disc ring (2x)		C-21115 - 28	C-21120 - 28	C-21115 - 28	C-21120 - 28
28	Lower seat gasket		C-21115 - 30	C-21120 - 30	C-21115 - 30	C-21120 - 30
29	Indicator spring		PP-11415 - 29	PP-11420 - 29	PP-11415 - 29	PP-11420 - 29
30	Dry bearing		PP-11415 - 30	PP-11420 - 30	PP-11415 - 30	PP-11420 - 30
31	Lift pin gauge		PP-11415 - 31	PP-11420 - 31	PP-11415 - 31	PP-11420 - 31
32	Bonnet		-	-	MP-32410 - 32	MP-32420 - 32
33	Stud bolt		-	-	PP-12415 - 33	PP-12420 - 33
34	Nut		-	-	PP-12415 - 34	PP-12420 - 34
51	Spring lock washer		C-21115 - 51	C-21120 - 51	C-21115 - 51	C-21120 - 51
52	Spring lock washer		C-21115 - 51	C-21120 - 51	C-21115 - 51	C-21120 - 51

* please complete: B1 = 1/8", B = 1/4", B2 = 3/8"

Electrical valve feedback sensor series PF

Valve position feedback for all types of ROCKY PISTON VALVES.
Sturdy and robust the cylinder contains contactless magnetic sensors and monitors the valve stem position.
Top and bottom guided for smooth trouble free operation. Easy to retro fit to existing valves.



Order Code

M * -3 2 * * - * * * *

Series

Version

- T Thread
- P Panel version

Function

- 1 Normally closed (NC)
- 2 Normally open (NO)

Connection

- 1 Thread
- 4 Panel version

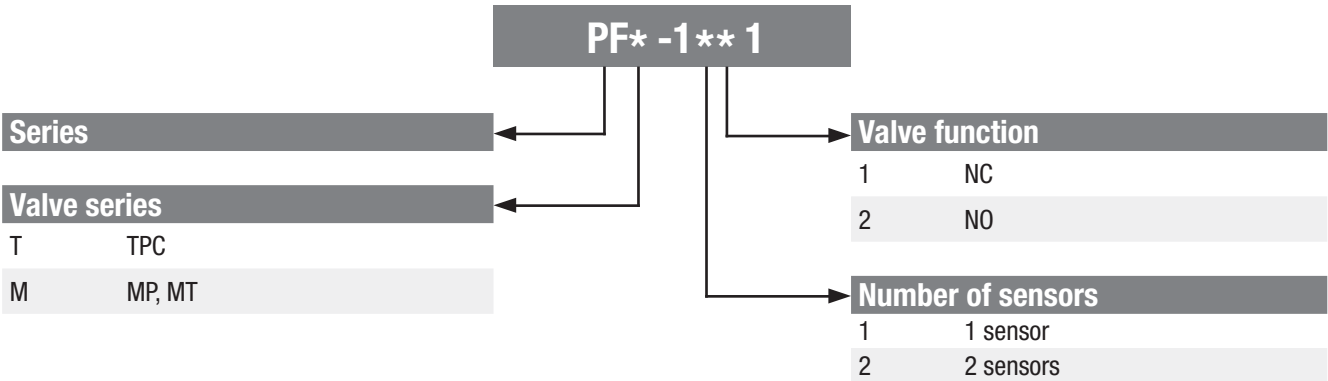
Pilot port thread

- B1 BSPT thread 1/8"
- B BSPT thread 1/4"
- B2 BSPT thread 3/8"

Nominal size / thread

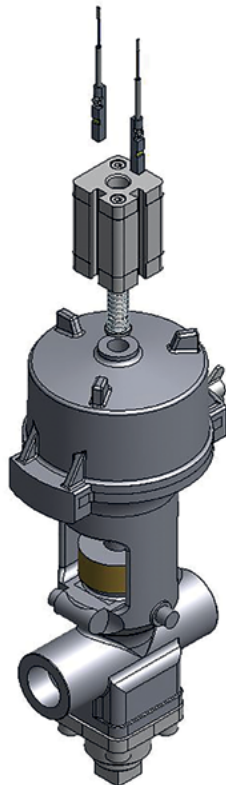
- 10 10 mm
- 20 20 mm
- 32 32 mm

Order Code

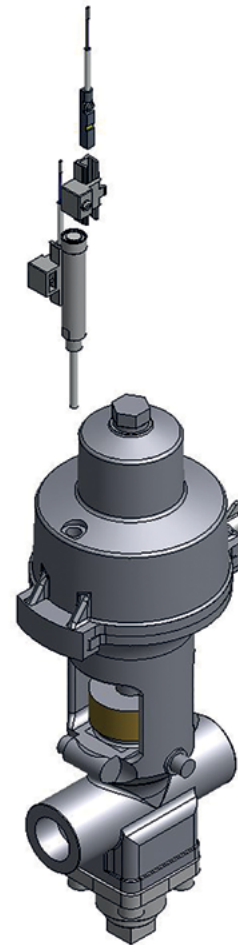


Installation

normally closed



normally open



10