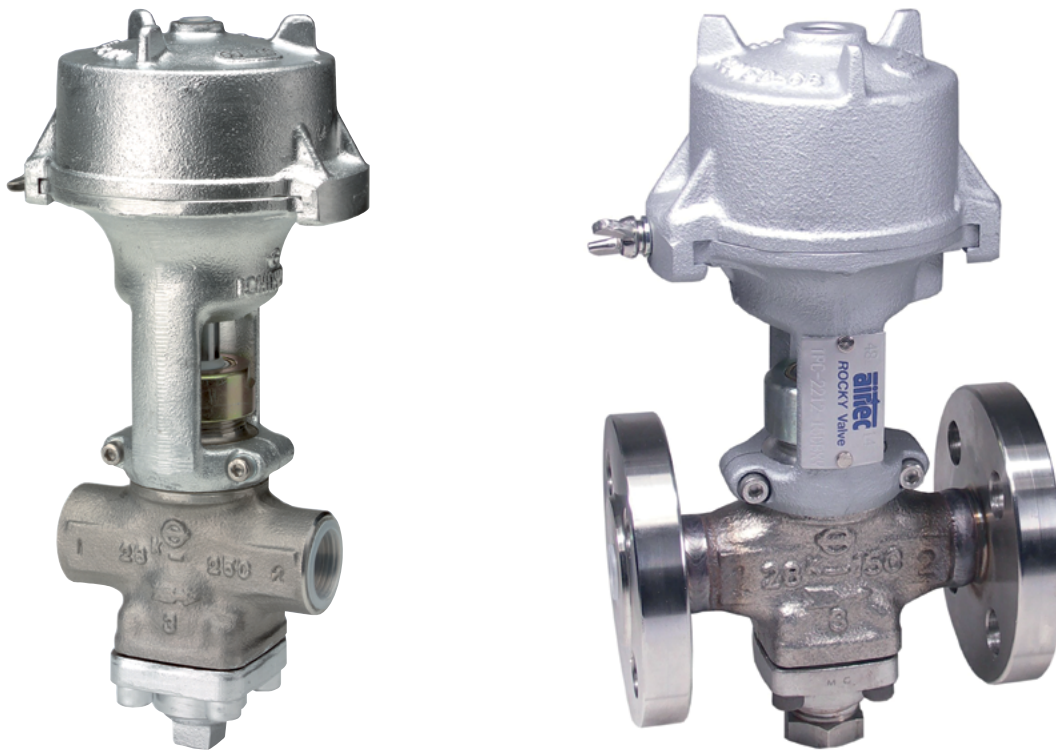


For over 30 years, AIRTEC has been the trusted supplier and service company for ROCKY™ valves. Over this time the brand has become the preferred choice in Tire manufacturing facilities worldwide for controlling Steam, Nitrogen and hot and cold water. Modern precision manufacturing methods and tight quality control along with selection of only the very best materials guarantee ROCKY™ valves to perform in the harshest conditions. The combination of sealing materials provides a bubble tight seal which is critical to the overall performance and reliability. TPC valves and accessories were primarily developed for the rationalization and automation of processes used in the tire, plastic and rubber manufacturing industries but are suitable for most applications requiring reliable on/off control of Steam, Nitrogen and Hot or Cold water. Put us to the test!



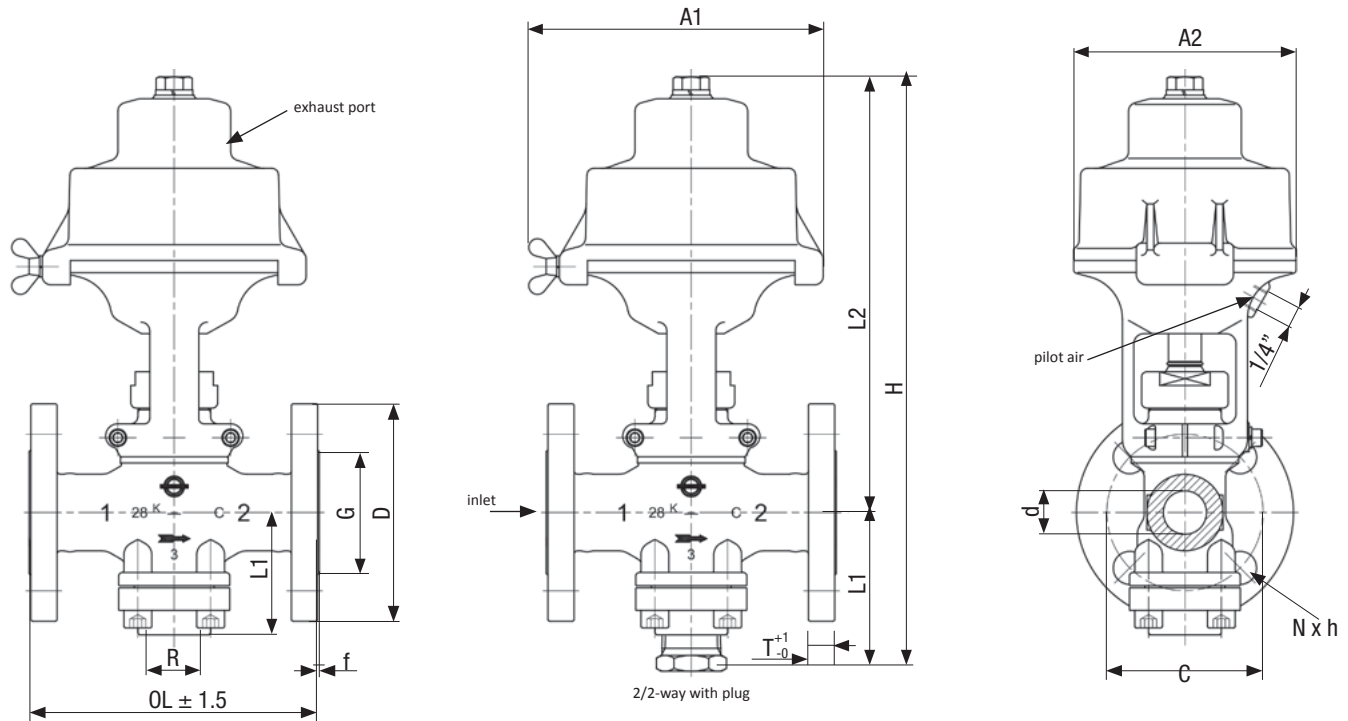
Key features

- Stainless steel body, seats, stem and flanges
- Teflon® piston ring
- Carbon Teflon® disc rings
- Teflon® and Carbon Teflon® gland packings
- 2 or 3 way function by adding or removing a plug in port 3
- Normally open or normally closed function

Technical data

Operating pressure	max. 580 psi
Back pressure	max. 362 psi
Pilot pressure	36 - 51 psi
Pressure class	300
Temperature range	- 22°F to + 446°F
Connections	Thread NPT, BSPT, PT Flange ANSI, DIN, JIS
Media	Steam, nitrogen and other inert gases, hot or cold water, air

Dimensions (mm)



TPC valve, with flange, 2/2-way, NO

Model No.*	DN	R	d	OL (DIN)	OL (ANSI)	OL (JIS)	L1	L2	H	A1	A2	Stroke	Weight (lbs)
TPC-2222-15ANXY	15	1/2"	13	130	140	146	65.1	186	251.1	120	82	9.3	9
TPC-2222-20ANXY	20	3/4"	19	150	150	146	84.8	220	304.8	139	100	12	13.2
TPC-2222-25ANXY	25	1"	25	160	170	167	90.9	249	339.9	169	128	18	21.4
TPC-2222-40ANXY	40	1 1/2"	40	200	200	190	115.6	330	445.6	211	170	23	41.4

TPC valve, with flange, 3/2-way, NO

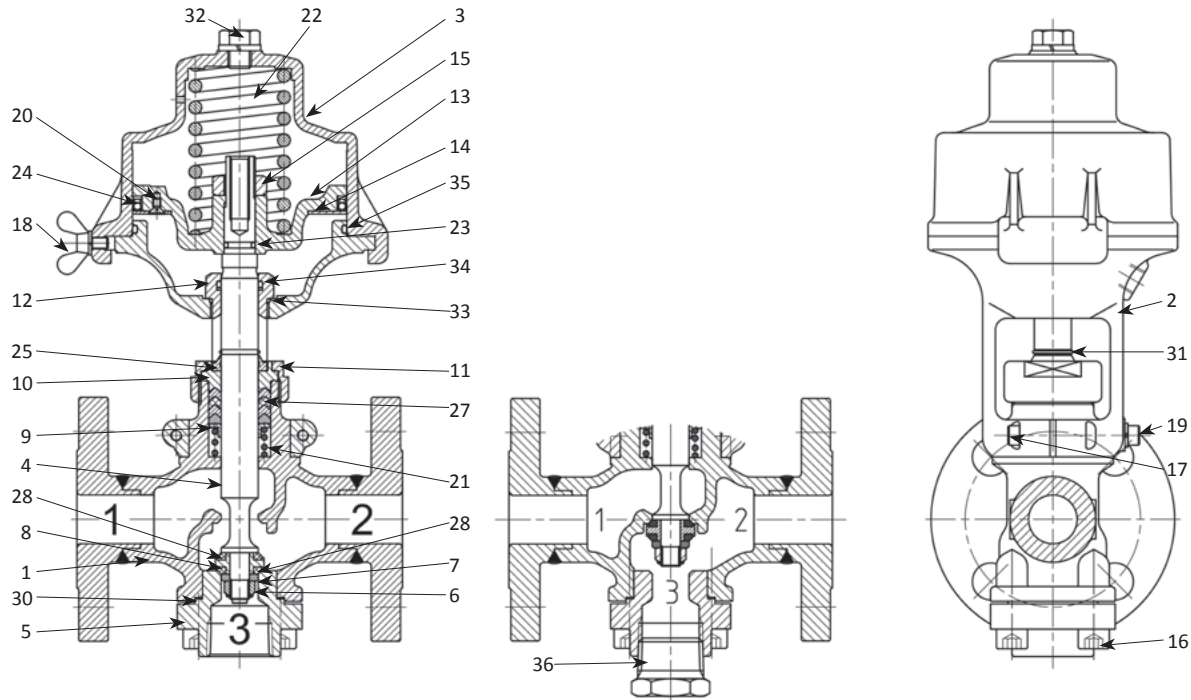
Model No.*	DN	R	d	OL (DIN)	OL (ANSI)	OL (JIS)	L1	L2	H	A1	A2	Stroke	Weight (lbs)
TPC-2322-15ANXY	15	1/2"	13	130	140	146	48.3	186	234.3	120	82	9.3	9
TPC-2322-20ANXY	20	3/4"	19	150	150	146	66.3	220	286.3	139	100	12	13.2
TPC-2322-25ANXY	25	1"	25	160	170	167	71.3	249	320.3	169	128	18	21.4
TPC-2322-40ANXY	40	1 1/2"	40	200	200	190	91.3	330	421.3	211	170	23	41.4

* Also available as version D with DIN flange or J with JIS flange and as version B with BSPT thread or P with PT thread. (on request, not a stock item)

Dimensions for ANSI flange

DN	D	C	G	T	f	N	h
15	95	66.5	35	14.5	1.6	4	15
20	117	82.5	43	16.0	1.6	4	19
25	124	89.0	51	18.0	1.6	4	19
40	156	114.5	73	21.0	1.6	4	22

Spare parts



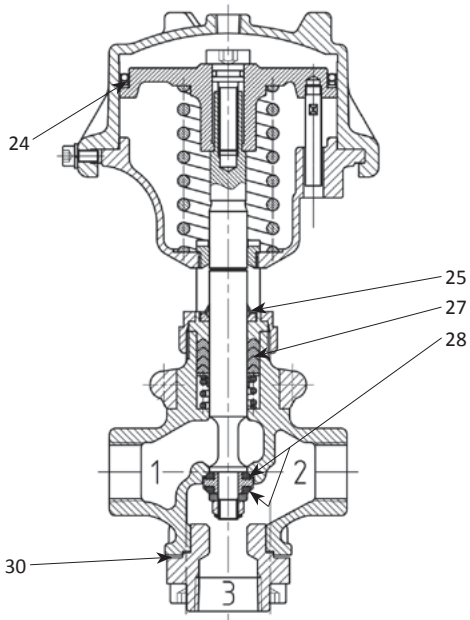
No.	Name	Valve	TPC-2222-15#*XY TPC-2322-15#*XY	TPC-2222-20#*XY TPC-2322-20#*XY	TPC-2222-25#*XY TPC-2322-25#*XY	TPC-2222-40#*XY TPC-2322-40#*XY
1	Body		C-21215 - 01 #Y	C-21220 - 01 #Y	C-21225 - 01 #Y	C-21240 - 01 #Y
2	Yoke		C-22115 - 02 *	C-22120 - 02 *	C-22125 - 02 *	C-22140 - 02 *
3	Cylinder		C-22115 - 03	C-22120 - 03	C-22125 - 03	C-22140 - 03
4	Stem		C-22115 - 04	C-22120 - 04	C-22125 - 04	C-22140 - 04
5	Lower seat		C-21115 - 05 *X	C-21120 - 05 *X	C-21125 - 05 *X	C-21140 - 05 *X
6	U-nut		C-21115 - 06	C-21120 - 06	C-21125 - 06	C-21140 - 06
7	Guide washer		C-21115 - 07	C-21120 - 07	C-21125 - 07	C-21140 - 07
8	Disc adapter		C-21115 - 08	C-21120 - 08	C-21125 - 08	C-21140 - 08
9	Ring washer		C-21115 - 09	C-21120 - 09	C-21125 - 09	C-21140 - 09
10	Gland		C-21115 - 10	C-21120 - 10	C-21125 - 10	C-21140 - 10
11	Gland nut		C-21115 - 11	C-21120 - 11	C-21125 - 11	C-21140 - 11
12	Guide bushing		C-21115 - 12	C-21120 - 12	C-21125 - 12	C-21140 - 12
13	Piston		C-21115 - 13	C-21120 - 13	C-21125 - 13	C-21140 - 13
14	Ring plate		C-21115 - 14	C-21120 - 14	C-21125 - 14	C-21140 - 14
15	Tension bolt		C-21115 - 15	C-21120 - 15	C-21125 - 15	C-21140 - 15
16	Socket cap screw		C-21115 - 16	C-21120 - 16	C-21125 - 16	C-21140 - 16
17	Socket cap screw		C-21115 - 17	C-21120 - 17	C-21125 - 17	C-21140 - 17
18	Wing bolt		C-21115 - 18	C-21120 - 18	C-21125 - 18	C-21140 - 18
19	Socket cap screw		C-21115 - 19	C-21120 - 19	C-21125 - 19	C-21140 - 19
20	Flat head screw		C-21115 - 20	C-21120 - 20	C-21125 - 20	C-21140 - 20
21	Packing spring		C-21115 - 21	C-21120 - 21	C-21125 - 21	C-21140 - 21
22	Piston Spring		C-21115 - 22	C-21120 - 22	C-21125 - 22	C-21140 - 22
23	O-ring		C-21115 - 23	C-21120 - 23	C-21125 - 23	C-21140 - 23
24	Piston ring		C-21115 - 24	C-21120 - 24	C-21125 - 24	C-21140 - 24
25	Dust seal		C-21115 - 25	C-21120 - 25	C-21125 - 25	C-21140 - 25
27	Gland packing		C-21115 - 27	C-21120 - 27	C-21125 - 27	C-21140 - 27
28	Disc ring (2x)		C-21115 - 28	C-21120 - 28	C-21125 - 28	C-21140 - 28
30	Lower seat gasket		C-21115 - 30	C-21120 - 30	C-21125 - 30	C-21140 - 30
31	Lift pin gauge		C-21115 - 31	C-21120 - 31	C-21125 - 31	C-21140 - 31
32	Plug		C-22115 - 32	C-22120 - 32	C-22125 - 32	C-22140 - 32
33	O-ring		C-22115 - 33	C-22120 - 33	C-22125 - 33	C-22140 - 33
34	O-ring with back up ring		C-22115 - 34	C-22120 - 34	C-22125 - 34	C-22140 - 34
35	O-ring		C-22115 - 35	C-22120 - 35	C-22125 - 35	C-22140 - 35
36	Plug		C-21115 - 36 *X	C-21120 - 36 *X	C-21125 - 36 *X	C-21140 - 36 *X

please complete: A = ANSI flange, D = DIN flange, J = JIS flange / * please complete: N = NPT thread, B = BSPT thread, P = PT thread

Repair kit

DN	Model no.:
08, 10, 15	RK-21115
20	RK-21120
25	RK-21125
32	RK-21132
40	RK-21140

Content

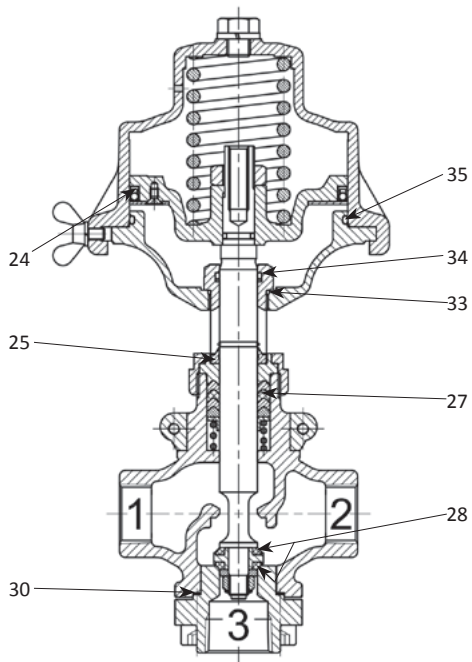







No.	Name	
25	Dust seal	
27	Gland packing	
28	Disc ring (2x)	
30	Lower seat gasket	
Recommended spare part		
24	Piston ring	

Repair kit

DN	Model no.:
08, 10, 15	RK-22115
20	RK-22120
25	RK-22125
40	RK-22140

Content



No.	Name	
25	Dust seal	
27	Gland packing	
28	Disc ring (2x)	
30	Lower seat gasket	
33	O-ring	
34	O-ring with back up ring	
35	O-ring	
Recommended spare part		
24	Piston ring	

1

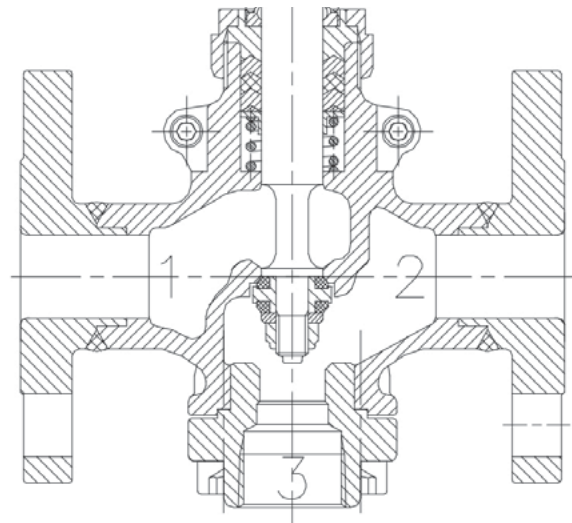
Electrical valve feedback sensor series PF

Valve position feedback for all types of ROCKY PISTON VALVES.
Sturdy and robust the cylinder contains contactless magnetic sensors and monitors the valve stem position.
Top and bottom guided for smooth trouble free operation. Easy to retro fit to existing valves.

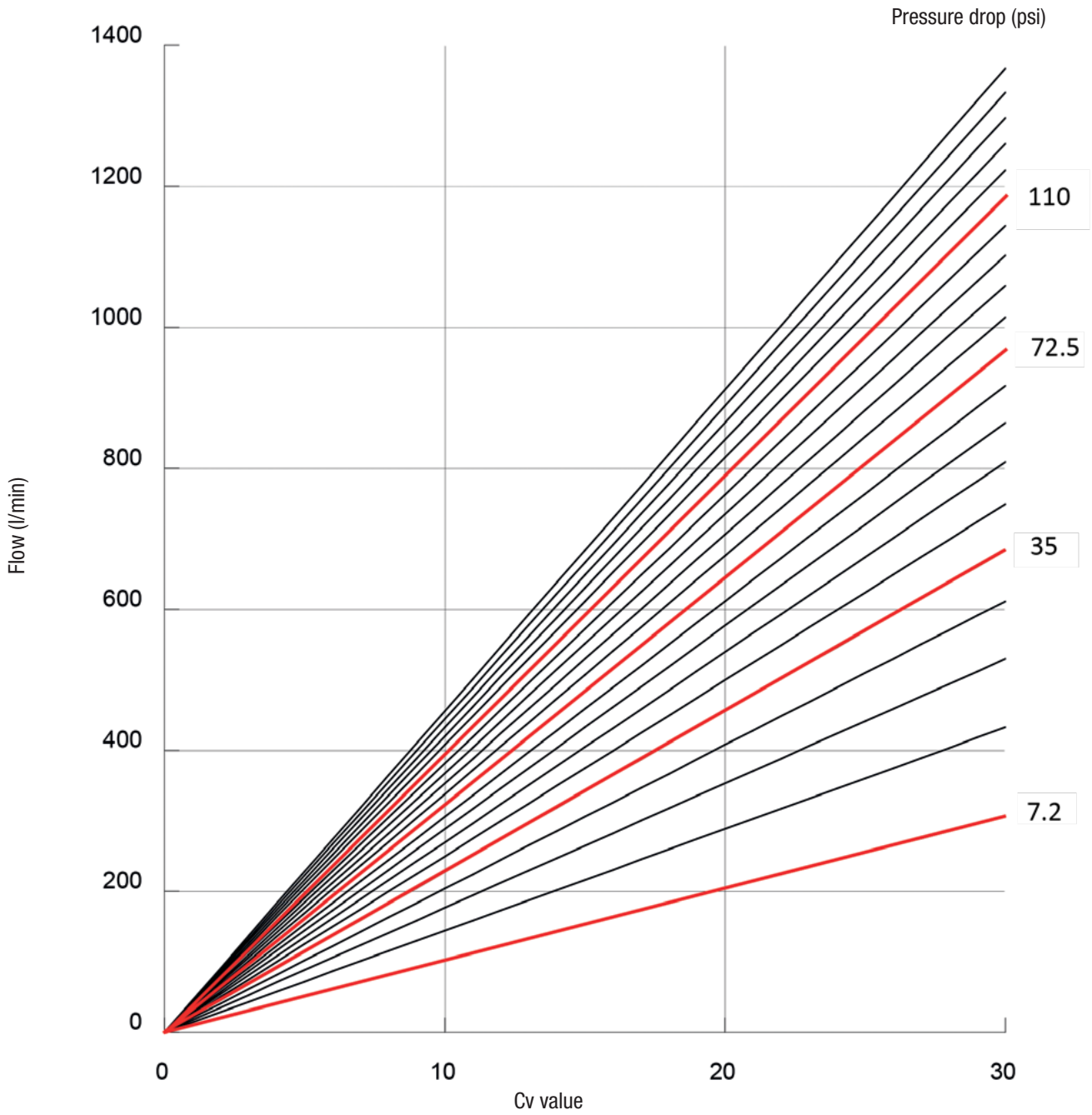


DN	Flow direction	Kv Value	Cv Value	Pressure drop (MPa)	Flow (l/min)
15	1⇒2	2.6	2.9	0.1	42
				0.2	59
				0.3	72
	2⇒1	2.6	2.9	0.1	42
				0.2	59
				0.3	72
	2⇒3	2.5	2.8	0.1	40
				0.2	57
				0.3	70
	3⇒2	2.15	2.4	0.1	35
				0.2	49
				0.3	60
20	1⇒2	4.8	5.4	0.1	78
				0.2	110
				0.3	135
	2⇒1	5.0	5.6	0.1	81
				0.2	114
				0.3	140
	2⇒3	5.4	6	0.1	86
				0.2	122
				0.3	150
	3⇒2	4.5	5	0.1	72
				0.2	102
				0.3	125
25	1⇒2	7.7	8.6	0.1	124
				0.2	175
				0.3	215
	2⇒1	8.0	8.9	0.1	128
				0.2	181
				0.3	222
	2⇒3	10.5	11.7	0.1	169
				0.2	238
				0.3	292
	3⇒2	9.6	10.7	0.1	154
				0.2	218
				0.3	267

DN	Flow direction	Kv Value	Cv Value	Pressure drop (MPa)	Flow (l/min)
32	1⇒2	11.8	13.2	0.1	190
				0.2	269
				0.3	330
	2⇒1	13.1	14.6	0.1	210
				0.2	298
				0.3	364
	2⇒3	14.1	15.8	0.1	228
				0.2	322
				0.3	394
3⇒2	16.4	18.3	0.1	264	
			0.2	373	
			0.3	457	
40	1⇒2	19.8	22.1	0.1	319
				0.2	450
				0.3	552
	2⇒1	19.1	21.4	0.1	308
				0.2	436
				0.3	534
	2⇒3	24.7	27.6	0.1	398
				0.2	563
				0.3	689
3⇒2	25.2	28.2	0.1	406	
			0.2	575	
			0.3	704	



Flow chart of Cv value / pressure drop



1

Order Code

TPC-2***-****

Series

TPC-2	Standard
TPC-4	High frequency valve
TPC-5	2/2-way valve

Version

2	2/2-way
3	3/2-way

Function

1	Normally closed (NC)
2	Normally open (NO)

Connection

1	Thread
2	Flange / thread
3	Flange

Nominal size / thread

08	8 mm	1/4"
10	10 mm	3/8"
15	15 mm	1/2"
20	20 mm	3/4"
25	25 mm	1"
32	32 mm	1 1/4"
40	40 mm	1 1/2"
50*	50 mm	-

Material gland packing

	Teflon® and Carbon Teflon®
H	Carbon Teflon® (up to + 482°F)

Material

X	Lower seat stainless steel
Y	Flange stainless steel

Type of thread lower seat

N	NPT thread
B*	BSPT thread
P*	PT thread

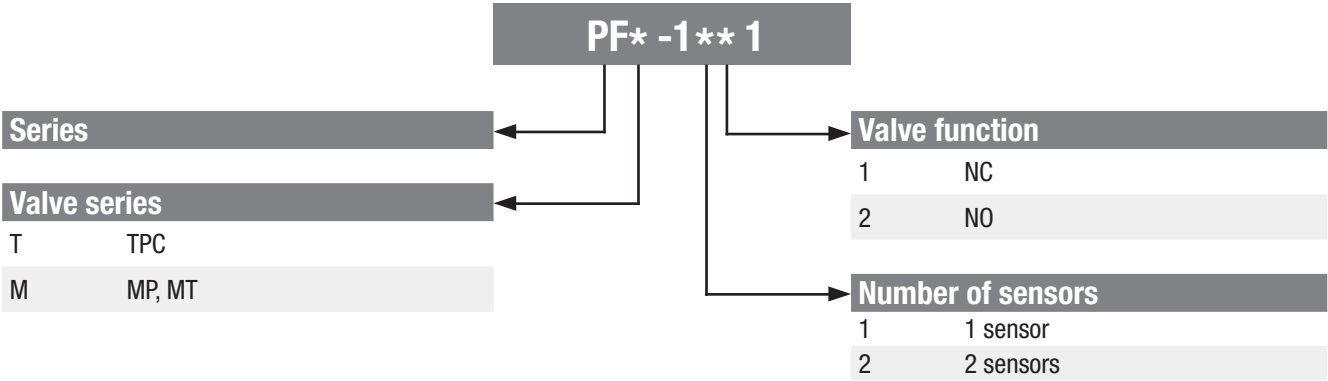
Type of thread / flange

N	NPT thread
B*	BSPT thread
P*	PT thread
A	ANSI flange
D*	DIN flange
J*	JIS flange

* Available on Request. Not a stock item.

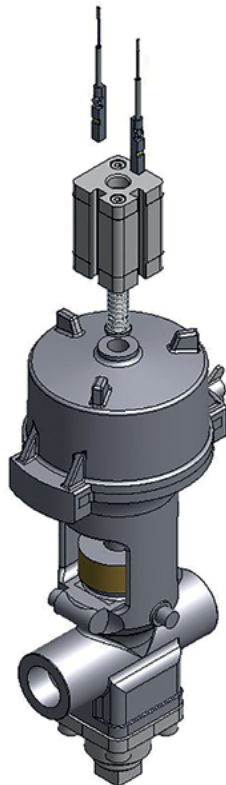
1

Order Code

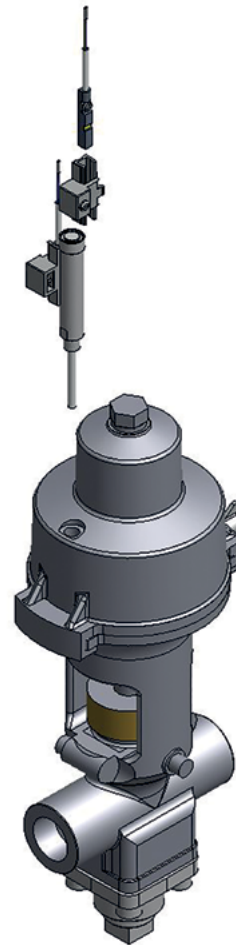


Installation

normally closed



normally open



10