

Series PNX-55

NAMUR



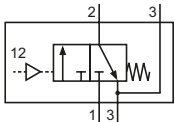
Technical details

Connection	G1/4, Namur
Nominal size	6 mm
Temperature range	-30°C ... +80°C
Medium	Filtered, oil-free and dried compressed air according to ISO 8573-1:2010, Class 7:2:4, instrument air, free of aggressive additives. Alternatively the pressure dew point must be at least 10°C below lowest occurring ambient temperature.
Materials	Body: stainless steel 1.4571, seals: PU, NBR, inner parts: stainless steel 1.4305
Protection	IP 65 according to EN 60529
	Valves in accordance with 2014/34/EU (ATEX) available. (Chapter 13)



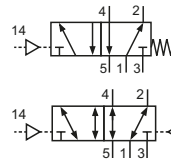
Pneumatically operated spool valve. The valve switches upon pressurization of the pilot port. The location pin, screws and seals are included.

3/2-way valve



PNX-55-311
3/2-way, single pilot, mechanical spring return

5/2- and 5/3-way valves



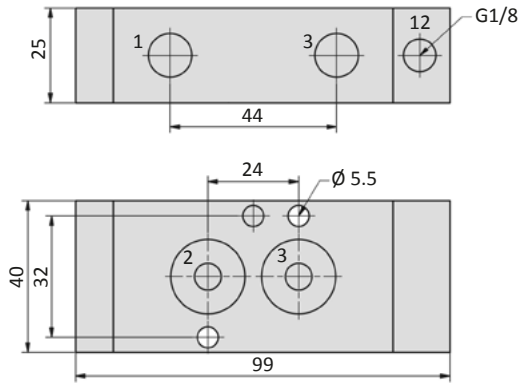
PNX-55-511
5/2-way, single pilot, mechanical spring return
PNX-55-520
5/2-way, double pilot

Technical data

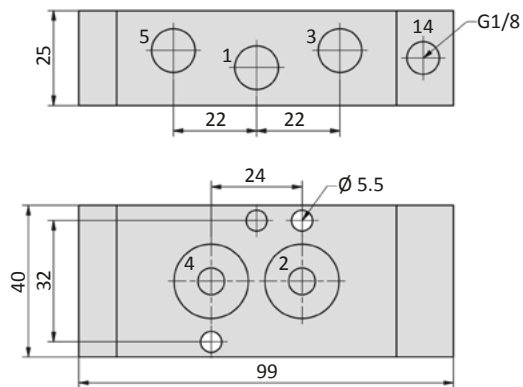
Model-no.:	PNX-55-311	PNX-55-511	PNX-55-520
Operating pressure (bar)	3 ... 8 bar	3 ... 8 bar	3 ... 8 bar
Pilot pressure (bar)	3 ... 8 bar	3 ... 8 bar	3 ... 8 bar
Flow rate (NI/min)	1280	1060	1050
Weight (kg)	0.640	0.630	0.660

Dimensions

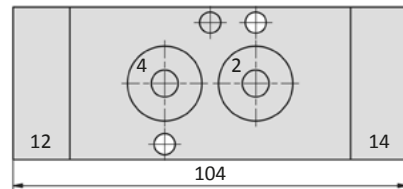
PNX-55-311



PNX-55-511



PNX-55-520



- 1 = pressure inlet
 - 2,4 = outlets
 - 3,5 = exhausts
 - 12,14 = pilot ports
- Pilot ports can be repositioned by 180°.