

## Series DR

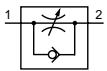
### Technical details

<b>Temperature range</b>	-10°C ... +70°C
<b>Medium</b>	Filtered, oil-free and dried compressed air according to ISO 8573-1:2010, Class 7:2:4, instrument air, free of aggressive additives. Alternatively the pressure dew point must be at least 10°C below lowest occurring ambient temperature.
<b>Materials</b>	Body: Al (anodized), seals: NBR



This valve is used for the speed control of a pneumatic cylinder. The flow rate can be regulated by turning the adjusting screw.

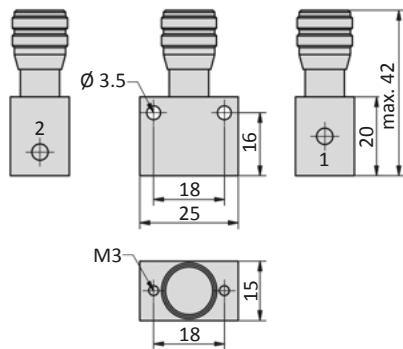
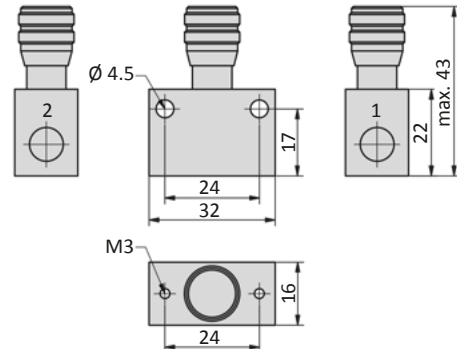
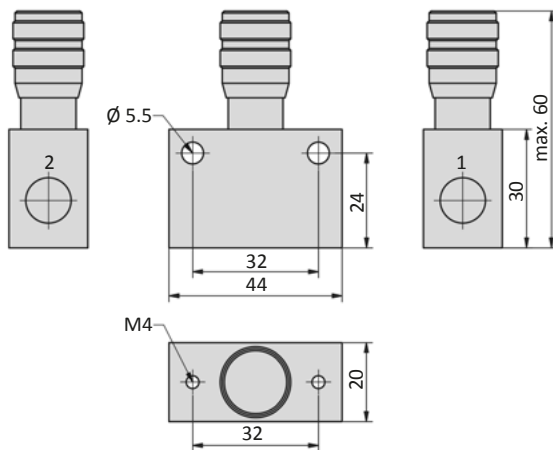
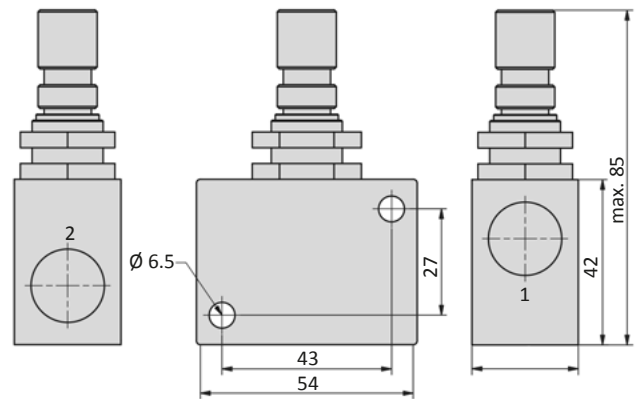
### DR valves



DR-xx  
flow control valve

### Technical data

Model-no.:	DR-25	DR-18	DR-14	DR-10
<b>Connection</b>	M5	G1/8	G1/4	G1/2
<b>Nominal size 1-2 (mm)</b>	0.5 ... 1.5	0.5 ... 2	1 ... 5	1 ... 7
<b>Nominal size 2-1 (mm)</b>	2.5	4.5	7.5	11
<b>Flow rate 1-2 (NI/min)</b>	5 ... 40	5 ... 90	50 ... 600	50 ... 600
<b>Flow rate 2-1 (NI/min)</b>	120	480	1300	1400
<b>Operating pressure (bar)</b>	0.5 ... 10	0.5 ... 10	0.5 ... 10	2 ... 10
<b>Weight (kg)</b>	0.034	0.040	0.098	0.215

**Dimensions**
**DR-25**

**DR-18**

**DR-14**

**DR-10**


- 1 = inlet
- 2 = outlet