

Plug sockets

Form B industrial norm

Overall width	22 mm
Contact distance	11 mm
Contacts	2P + E
Protection	IP 65 according to EN 60529 requires a flat gasket
For use with series	86-MV-5-28, 86-MV-5-14, 86-MV-5-24, 86-MV-5-38, 86-MV-5-12, 86-MV-3, 86-MN-4, 86-MS-3V



Model-no.:	28-ST-01	86-ST-04-112	28-ST-04-127
Voltage (AC/DC)	0 - 250 V	24 V DC	220 V AC
Status indicator	no	yes	yes
Protective circuit	no	no	no
Connecting cable	without	without	without
Wire cross section	max. 1.5 mm ²	max. 1.5 mm ²	max. 1.5 mm ²
∅ Connecting cable	6 - 8 mm	6 - 8 mm	6 - 8 mm

Form C industrial norm

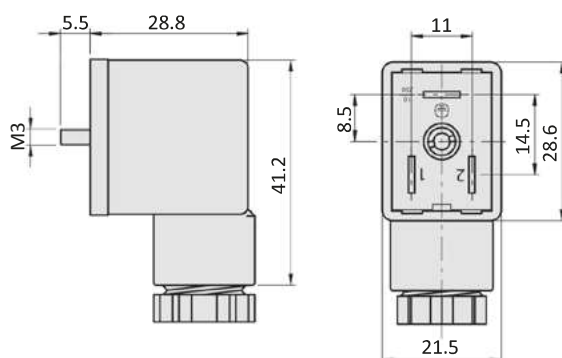
Overall width	15 mm
Contact distance	9.4 mm
Contacts	2P + E
Protection	IP 65 according to EN 60529 requires a flat gasket
For use with series	86-MV-5-18



Model-no.:	28-ST-02-01	86-ST-09-112	86-ST-09-127
Voltage (AC/DC)	0 - 250 V	24 V DC	220 V AC
Status indicator	no	yes	yes
Protective circuit	no	no	no
Connecting cable	without	without	without
Wire cross section	max. 0.75 mm ²	max. 0.75 mm ²	max. 0.75 mm ²
∅ Connecting cable	4 - 6 mm	4 - 6 mm	4 - 6 mm

Dimensions

Form B industrial norm



Form C industrial norm

