

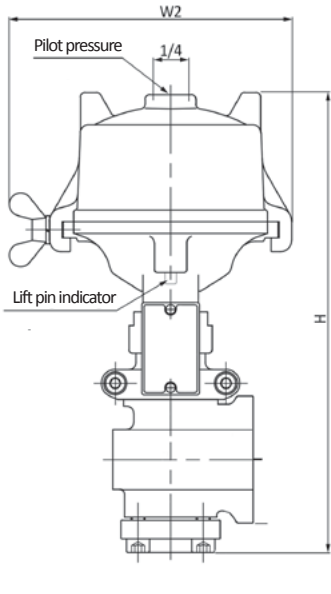
These valves are designed for the use with Steam, Hot Water, Cold Water, Air, Gas or on Vacuum Service. This valves are especially made for manifold block application. The design based on the long field proven TPC series in the tire industry.

Operating pressure	max. 580 psi
Back pressure	max. 362 psi
Pilot pressure	36 - 51 psi
Pressure class	300
Temperature range	- 22°F to + 419°F
Medium	Steam, Nitrogen, Air
Body material	Stainless steel casting
Stem and seat material	Stainless steel
Packing material	Graphite-reinforced Teflon®
Seal type	Carbon Teflon®

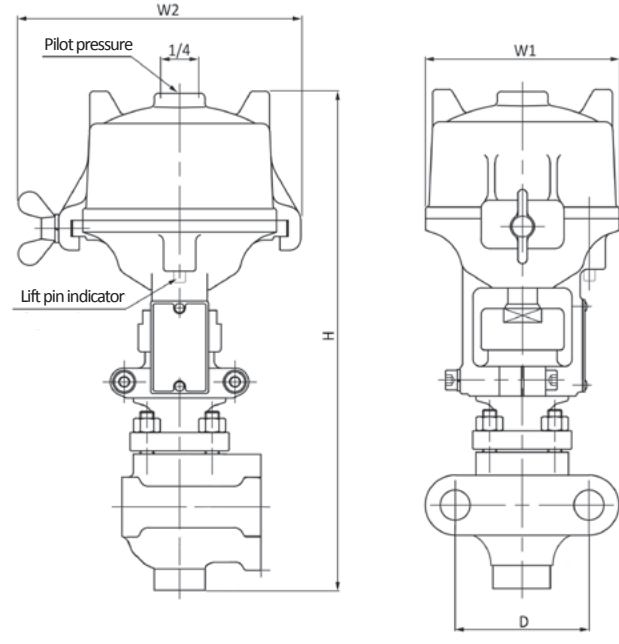


**Dimensions (mm)**

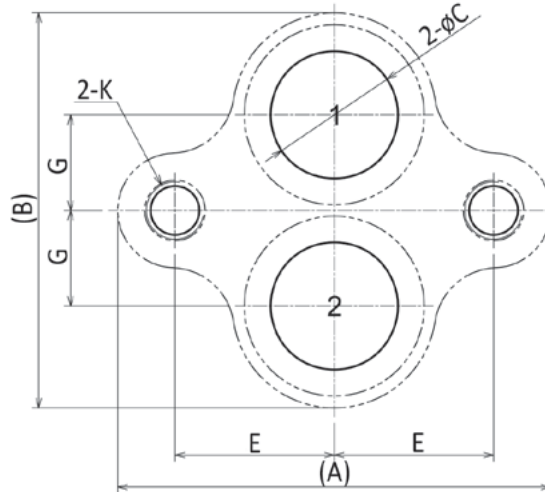
PPM-1214  
normally closed



PPM-1224  
normally open



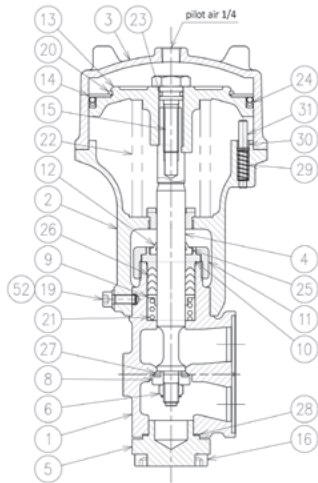
Foot print dimension



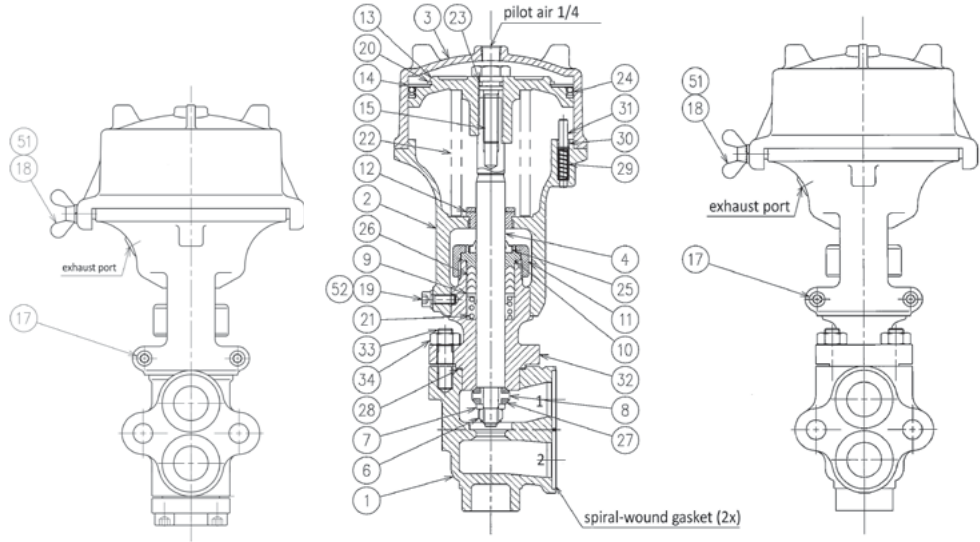
Model No.	DN	A	B	C	D	E	G	H	K	W1	W2	Weight (lbs)
PPM-1214-15B	15	78	55	13	52	26	13	200	M12	122	84	6.2
PPM-1214-20B	20	86	73	19	58	29	17.5	237.5	M12	139	100	9.5
PPM-1214-25B	25	92	84	23	64	32	20	280.5	M12	169	128	15.0
PPM-1214-32B	32	122	106	32	90	45	25	323	M16	185	142	22.3
PPM-1214-40B	40	136	124	40	100	50	30	384	M18	211	170	34.8
PPM-1224-15B	15	78	55	13	52	26	13	221	M12	122	84	6.4
PPM-1224-20B	20	86	73	19	58	29	17.5	263.5	M12	139	100	10.1
PPM-1224-25B	25	92	84	23	64	32	20	309	M12	169	128	16.5
PPM-1224-32B	32	122	106	32	90	45	25	349	M16	185	142	24.5
PPM-1224-40B	40	136	124	40	100	50	30	417	M18	211	170	38.1

Spare parts

normally closed



normally open



No.	Name	Valve	PPM-1214-15B	PPM-1214-20B	PPM-1214-25B	PPM-1214-32B	PPM-1214-40B	PPM-1224-15B	PPM-1224-20B	PPM-1224-25B	PPM-1224-32B	PPM-1224-40B
1	Body		PP-11415 - 01	PP-11420 - 01	PP-11425 - 01	PP-11432 - 01	PP-11440 - 01	PP-12415 - 01	PP-12420 - 01	PP-12425 - 01	PP-12432 - 01	PP-12440 - 01
2	Yoke		PP-11415 - 02	PP-11420 - 02	PP-11425 - 02	PP-11432 - 02	PP-11440 - 02	PP-12415 - 02	PP-12420 - 02	PP-12425 - 02	PP-12432 - 02	PP-12440 - 02
3	Cylinder		PP-11415 - 03 *	PP-11420 - 03 *	PP-11425 - 03 *	PP-11432 - 03 *	PP-11440 - 03 *	PP-11415 - 03 *	PP-11420 - 03 *	PP-11425 - 03 *	PP-11432 - 03 *	PP-11440 - 03 *
4	Stem		PP-11415 - 04	PP-11420 - 04	PP-11425 - 04	PP-11432 - 04	PP-11440 - 04	PP-12415 - 04	PP-12420 - 04	PP-12425 - 04	PP-12432 - 04	PP-12440 - 04
5	Lower seat		PP-11415 - 05	PP-11420 - 05	PP-11425 - 05	PP-11432 - 05	PP-11440 - 05	PP-11415 - 05	PP-11420 - 05	PP-11425 - 05	PP-11432 - 05	PP-11440 - 05
6	U-nut		C-21115 - 06	C-21120 - 06	C-21125 - 06	C-21132 - 06	C-21140 - 06	C-21115 - 06	C-21120 - 06	C-21125 - 06	C-21132 - 06	C-21140 - 06
8	Disc adapter		PP-11415 - 08	PP-11420 - 08	PP-11425 - 08	PP-11432 - 08	PP-11440 - 08	PP-11415 - 08	PP-11420 - 08	PP-11425 - 08	PP-11432 - 08	PP-11440 - 08
9	Ring washer		C-21115 - 09	C-21120 - 09	C-21125 - 09	C-21132 - 09	C-21140 - 09	C-21115 - 09	C-21120 - 09	C-21125 - 09	C-21132 - 09	C-21140 - 09
10	Gland		C-21115 - 10	C-21120 - 10	C-21125 - 10	C-21132 - 10	C-21140 - 10	C-21115 - 10	C-21120 - 10	C-21125 - 10	C-21132 - 10	C-21140 - 10
11	Gland nut		C-21115 - 11	C-21120 - 11	C-21125 - 11	C-21132 - 11	C-21140 - 11	C-21115 - 11	C-21120 - 11	C-21125 - 11	C-21132 - 11	C-21140 - 11
12	Guide bushing		C-21115 - 12	C-21120 - 12	C-21125 - 12	C-21132 - 12	C-21140 - 12	C-21115 - 12	C-21120 - 12	C-21125 - 12	C-21132 - 12	C-21140 - 12
13	Piston		PP-11415 - 13	PP-11420 - 13	PP-11425 - 13	PP-11432 - 13	PP-11440 - 13	PP-11415 - 13	PP-11420 - 13	PP-11425 - 13	PP-11432 - 13	PP-11440 - 13
14	Ring plate		PP-11415 - 14	PP-11420 - 14	PP-11425 - 14	PP-11432 - 14	PP-11440 - 14	PP-11415 - 14	PP-11420 - 14	PP-11425 - 14	PP-11432 - 14	PP-11440 - 14
15	Tension bolt		C-21115 - 15	C-21120 - 15	C-21125 - 15	C-21132 - 15	C-21140 - 15	C-21115 - 15	C-21120 - 15	C-21125 - 15	C-21132 - 15	C-21140 - 15
16	Socket cap screw		C-21115 - 16	C-21120 - 16	C-21125 - 16	C-21132 - 16	C-21140 - 16	C-21115 - 16	C-21120 - 16	C-21125 - 16	C-21132 - 16	C-21140 - 16
17	Socket cap screw		C-21115 - 17	C-21120 - 17	C-21125 - 17	C-21132 - 17	C-21140 - 17	C-21115 - 17	C-21120 - 17	C-21125 - 17	C-21132 - 17	C-21140 - 17
18	Wing bolt		C-21115 - 18	C-21120 - 18	C-21125 - 18	C-21132 - 18	C-21140 - 18	C-21115 - 18	C-21120 - 18	C-21125 - 18	C-21132 - 18	C-21140 - 18
19	Socket cap screw		C-21115 - 19	C-21120 - 19	C-21125 - 19	C-21132 - 19	C-21140 - 19	C-21115 - 19	C-21120 - 19	C-21125 - 19	C-21132 - 19	C-21140 - 19
20	Retaining ring		PP-11415 - 20	PP-11420 - 20	PP-11425 - 20	PP-11432 - 20	PP-11440 - 20	PP-11415 - 20	PP-11420 - 20	PP-11425 - 20	PP-11432 - 20	PP-11440 - 20
21	Packing spring		C-21115 - 21	C-21120 - 21	C-21125 - 21	C-21132 - 21	C-21140 - 21	C-21115 - 21	C-21120 - 21	C-21125 - 21	C-21132 - 21	C-21140 - 21
22	Piston Spring		C-21115 - 22	C-21120 - 22	C-21125 - 22	C-21132 - 22	C-21140 - 22	C-21115 - 22	C-21120 - 22	C-21125 - 22	C-21132 - 22	C-21140 - 22
23	O-ring		C-21115 - 23	C-21120 - 23	C-21125 - 23	C-21132 - 23	C-21140 - 23	C-21115 - 23	C-21120 - 23	C-21125 - 23	C-21132 - 23	C-21140 - 23
24	Piston ring		PP-11415 - 24	PP-11420 - 24	PP-11425 - 24	PP-11432 - 24	PP-11440 - 24	PP-11415 - 24	PP-11420 - 24	PP-11425 - 24	PP-11432 - 24	PP-11440 - 24
25	Dust seal		C-21115 - 25	C-21120 - 25	C-21125 - 25	C-21132 - 25	C-21140 - 25	C-21115 - 25	C-21120 - 25	C-21125 - 25	C-21132 - 25	C-21140 - 25
26	Gland packing		C-21115 - 27	C-21120 - 27	C-21125 - 27	C-21132 - 27	C-21140 - 27	C-21115 - 27	C-21120 - 27	C-21125 - 27	C-21132 - 27	C-21140 - 27
27	Disc ring (2x)		C-21115 - 28	C-21120 - 28	C-21125 - 28	C-21132 - 28	C-21140 - 28	C-21115 - 28	C-21120 - 28	C-21125 - 28	C-21132 - 28	C-21140 - 28
28	Lower seat gasket		PP-11415 - 28	PP-11420 - 28	PP-11425 - 28	PP-11432 - 28	PP-11440 - 28	PP-12415 - 28	PP-12420 - 28	PP-12425 - 28	PP-12432 - 28	PP-12440 - 28
29	Indikator spring		PP-11415 - 29	PP-11420 - 29	PP-11425 - 29	PP-11432 - 29	PP-11440 - 29	PP-11415 - 29	PP-11420 - 29	PP-11425 - 29	PP-11432 - 29	PP-11440 - 29
30	Dry bearing		PP-11415 - 30	PP-11420 - 30	PP-11425 - 30	PP-11432 - 30	PP-11440 - 30	PP-11415 - 30	PP-11420 - 30	PP-11425 - 30	PP-11432 - 30	PP-11440 - 30
31	Lift pin gauge		PP-11415 - 31	PP-11420 - 31	PP-11425 - 31	PP-11432 - 31	PP-11440 - 31	PP-11415 - 31	PP-11420 - 31	PP-11425 - 31	PP-11432 - 31	PP-11440 - 31
32	Bonnet		-	-	-	-	-	PP-12415 - 32	PP-12420 - 32	PP-12425 - 32	PP-12432 - 32	PP-12440 - 32
33	Stud bolt		-	-	-	-	-	PP-12415 - 33	PP-12420 - 33	PP-12425 - 33	PP-12432 - 33	PP-12440 - 33
34	Nut		-	-	-	-	-	PP-12415 - 34	PP-12420 - 34	PP-12425 - 34	PP-12432 - 34	PP-12440 - 34
51	Spring lock washer		C-21115 - 51	C-21120 - 51	C-21125 - 51	C-21132 - 51	C-21140 - 51	C-21115 - 51	C-21120 - 51	C-21125 - 51	C-21132 - 51	C-21140 - 51
52	Spring lock washer		C-21115 - 51	C-21120 - 51	C-21125 - 51	C-21132 - 51	C-21140 - 51	C-21115 - 51	C-21120 - 51	C-21125 - 51	C-21132 - 51	C-21140 - 51

\* please complete: N = NPT thread, B = BSPT thread, P = PT thread



**Spiral woung gasket series PP**

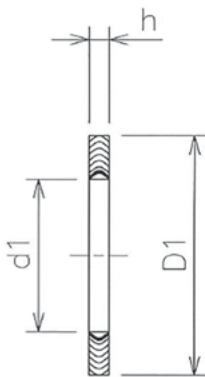
This gasket is made of spiral wound metal band 1.4541 with a filing material between the metal bands. The filling material is graphite. Spiral-wound gaskets are used mainly in high-pressure environments and in critical operating conditions.



**Technical data**

Operating pressure	max. 2320 psi
Temperature range	- 328°F to + 1022°F

**Dimensions (mm)**



Model No.	DN	d1	D1	h
PP-15	15	15	25	3.2
PP-20	20	20	33	3.2
PP-25	25	25	39	3.2
PP-32	32	32	49	3.2
PP-40	40	40	57	3.2

Order Code

PPM-1 2 \* 4 - \* \* \*

Series

Version

2 2/2-way

Function

- 1 Normally closed (NC)
- 2 Normally open (NO)

Connection

4 Panel version

Pilot port thread

**N** NPT thread

B\* BSPT thread

P\* PT thread

Nominal size

15 15 mm

20 20 mm

25 25 mm

32 32 mm

40 40 mm

\* Available on Request. Not a stock item.